



Z620-582-3P

Z600 Series Conventional A1R Heat Detector (Polar White)

General

The Z620-582-3P is a Polar White conventional thermal fire detector. It activates into alarm at a fixed temperature of 58°C with an incorporated rate-of-rise algorithm.

Advanced thermistor design

Based on advanced thermistor technology, the Z620 series heat detectors provides a reliable response to fires in areas where environmental conditions prohibit the use of smoke detection.

The Z620-582-3P operates on the rate-of-rise of its ambient temperature. To increase response time without compromising reliability, a rate compensation element enables the detector to become more sensitive to higher rates of temperature rise.

Approvals and Use

The Z620-582-3P meets the requirements of EN54 Part 5 with sensitivity to grade 1.

Low profile moulding and options of either surface or recessed bases make the units ideal for both modern commercial and industrial interiors featuring solid or suspended ceilings. A high intensity, red LED indicator on the detector moulding provides clear indication when the unit is in alarm.

Twist and lock base

For ease of removal, Z620 series detectors plug into a range of base units. In order to prevent unauthorised removal, a site selectable option is provided to lock the detector into its base. Once applied the unit can only be removed by means of a special tool.

All Z620 detectors feature head out monitoring support. Should a detector be removed from its base, in addition to giving a fault signal, all devices down line of the removed unit continue to function normally when the detectors are used with a Z6-BS5-P diode base.



Standard Features

- Approved to EN54 Parts 5 and CPD Certified
- Low profile conventional design
- Head out continuity support
- Range of surface bases
- Plug in base with automatic locking

Z620-582-3P

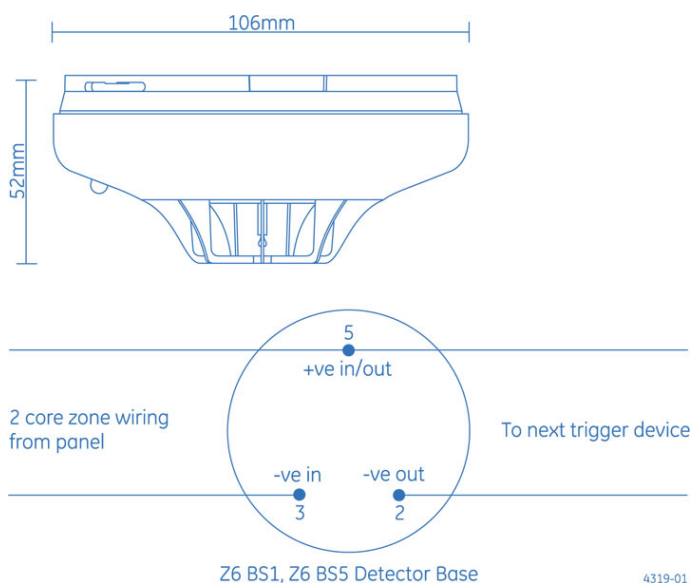
Z600 Series Conventional A1R Heat Detector (Polar White)

Specifications

Z620-582-3P	Specification EN54 Pt5 Grade 1 - Rate of Rise
Compatibility	All ZC conventional systems
Mounting	Plugs into surface or semi recessed base
Area Coverage	50m ² , subject to local codes
Wiring	2 wire zonal
Monitoring	With Z6-BS1-P base, open and short circuit by EOL resistor With Z6-BS5-P base, open and short circuit and head out by active EOL unit
Indication	Alarm LED (red)
Operating threshold	58°C
Operating voltage	12 - 30 VDC
Current	
Quiescent	<60 µA
Alarm (max)	50 mA (limited by panel)
Application	Indoor installation
EN60529 rating	IP55
Temperature range	
Operating	-20°C to +15°C above temp rating
Storage	-20 to +70°C
Relative humidity range (non condensing)	20 to 95%
EMC	CE marked (EEC89/336)
Material	Moulded ABS
Dimensions (Dia x H)	106 x 52 mm
Height (from ceiling with base)	BS1/BS5 surface - 60 mm
Colour	Polar White
Weight	105g (without base)

Ordering Information

Part No.	Description
Z620-582-3P	Z600 Series Conventional A1R Heat Detector (Polar White)
Z6-BS1-P	Z600 Series Conventional Surface Mounting Detector Base (Polar White)
Z6-BS5-P	Z600 Series Conventional Surface Mounting Detector Base with Diode (Polar White)



4319-01

