

Securetone 2 Conventional Sounder/Beacon

(ZS2-CS/R, ZS2-CS/W, ZS2-CS/T, ZS2-CSB/TR, ZS2-CSB/T, ZS2-CB/TR & ZS2-CB/T)



ZS2-CS/R



ZS2-CS/W

The Securetone 2 is a low consumption sounder designed to be used as an unobtrusive low profile sounder or as a base sounder to be installed in conjunction with a conventional detector. This leads to reduced installation costs and improves the aesthetics of the fire alarm system.

Four different tones are available and selected by jumpers. The Sound level can be adjusted if required, using the potentiometer.

The complete range is composed of 3 varieties in both base and wall mounted versions: Beacon, Sounder and combined Sounder/ Beacon. detectors, external power supplies etc.

For more details and connection information consult the installation guide.



ZS2-CSB/TR



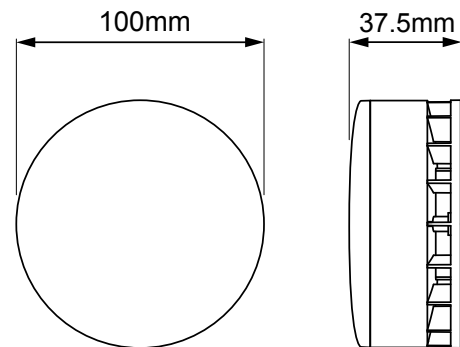
ZS2-CSB/T



ZS2-CB/TR



ZS2-CB/T



| | Sounders | | | Sounder Beacons | | Beacons | |
|--------------------------------|----------------------|----------|----------|-----------------|-------------|-----------|-------------|
| Model | ZS2-CS/R | ZS2-CS/W | ZS2-CS/T | ZS2-CSB/TR | ZS2-CSB/T | ZS2-CB/TR | ZS2-CB/T |
| Part No. | 42-550 | 42-551 | 42-551C | 42-552 | 42-553 | 42-554 | 42-555 |
| CPR No. | 1328-CPR-0386 | | | 1328-CPR-0387 | | | |
| Supply Voltage | 20V to 30V DC | | | | | | |
| Colour | Red | White | Clear | Red | Transparent | Red | Transparent |
| Alarm Current - 800 to 1000 HZ | 4mA | | | 5.5mA | | 2.5mA | |
| Alarm Current - 2.0 to 3.0 KHZ | 7mA | | | 8.0mA | | 2.5mA | |
| Sounder Output - Low Freq. | 84dB @1m | | | | | N/A | |
| Sounder Output - High Freq. | 88dB @1m | | | | | N/A | |
| Max. Cable Size | 2.5mm ² | | | | | | |
| Max. Humidity | 95%RH Non-Condensing | | | | | | |
| Operating Temperature | -10°C to 55°C | | | | | | |
| Dimensions (mm) | 100 (Dia) x 37.5(H) | | | | | | |
| Weight | 110 grams | | | | | | |