

Puff Alert

'No Smoking' detector

- **3-level sensitivity photoelectric technology**
- **High intelligence with microprocessor**
- **Ultra life lithium battery**
- **Remote Indicator attached**

Introduction

The Puff Alert-C No Smoking Detector is a high-sensitivity detector based on photoelectric technology, which senses cigarette, cigar and pip tobacco smoke at an early stage and warns by means of a buzzer and a red light-emitting diode.

A remote indicator is also available for easy of centralized identification.

Product characteristics

Smoke sensing

Every detector is separately calibrated in order to avoid false alarms.

The detector is electronically regulated internally, thereby maintaining a constant sensitivity of the alarm.

The detector has 3 levels sensitivity.

1. High sensitivity
2. Normally sensitivity
3. Low sensitivity

Monitoring

A red light-emitting diode located (LED) on the top cover indicates different function state of the detector.

The LED flashes once per 45 seconds signals that the device is in monitoring state and is functioning correctly.

Battery-warning

The Puff Alert-C manages the battery automatically. When the battery runs low, the detector turns into Low-battery state.

The detector emits a short beep warning sound, synchronous with the LED blinking per 45 seconds, signalling the Low-battery state. The detector will continue to function for up to 1 month under Low-battery state.

Fully automatic test function

Advanced electronics ensure the best possible operating readiness by means of an automatic self-test function.

In case of failure, the detector gives out a fault signal by means of 3 beeps every 35 seconds, synchronous with the LED blinking.

Smoke Alarm

When Puff Alert-C detects small amounts of cigarette, cigar or pipe tobacco smoke, and the concentration of smoke reaches the alarm threshold, the detector then turns into alarm state.

There are two styles of alarm signals, selected via the Button (see below), one is quick, one is slow.

In quick style, the buzzer beeps once per second, synchronous with the LED blinking.

In slow style, the buzzer beeps once every three seconds, synchronous with the LED blinking.

Interconnection

The Puff Alert-C supplies an interconnection function, which allows the alarm signal to be transferred from one to another.

When a detector is in Interconnection Alarm, the Buzzer emits 3 beeps, then a obvious space, then 3 beeps, circularly. The LED keeps off.

Multi-function Button

A multi-function button is located on the top cover, which supplies operations below.

1. **Manual Test**

When the detector is in monitoring state, press the button for more than one second, the detector will turn into Test mode, which is similar to the Smoke Alarm mode. And after a short while, the detector turns back to monitoring mode again.

2. **Hush**

When the detector is in Smoke Alarm state and sounds an audible voice, press the button for less than half a second, the detector will stop the audible voice.

3. **Sound Style Selection**

When the detector is in monitoring state, press the button for less than half a second, will change the sound style of the Smoke Alarm from quick to slow or reversed.

Remote Indicator

A remote indicator is also available for easy of remote identification. When Puff Alert-C is in Smoke Alarm state, The Remote Indicator operates similar to that of the LED and the Buzzer which is located the detector.

Placement Location

- Should be mounted on the ceiling in areas selected for No Smoking.
- One device for every 65 cubic metres approximately. The minimum requirement for large areas request advice from your product supplier.
- For complicated or extensive properties please request qualified advice from your product supplier.

The following locations shall be avoided:

- Next to doors, windows, ventilators etc. where draughts can deviate smoke from the sensor.
- In small or poorly ventilated garages or kitchens where waste gas or vapours may cause false alarms.
- In areas where dust and dirt can interfere with the operation or cause false alarms.
- In areas where insects or vermin may effect the integrity of the alarm.
- In damp or humid areas (e.g. in the bathrooms).
- In areas where the temperature may often fall below -5°C or exceed $+38^{\circ}\text{C}$.

Installation

- Drill two horizontal holes 5 diameter, 22mm deep, 58 mm apart, where is intended to install the detector.
- Insert the enclosed plastic plugs into the holes.
- Separate the base plate and detector by rotating counterclockwise.
- Place the base plate so that the two long slot-holes are aligned to the plastic plugs inside the ceiling. Fasten the base plate on the respective surface using the enclosed screw.
- Open the battery lid of the detector, Clip the battery lead to the 9V lithium battery, ensuring the correct polarity, and insert the battery in the space provided. Then close the battery lid.
- Push the detector onto the mounting bracket perfectly. and turn it clockwise to align the side slot of the bracket and the detector. Make sure the detector is firmly locked.

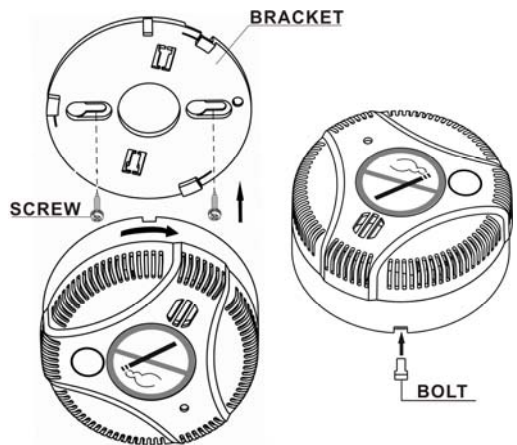


Fig.1 Installation

Remote Indicator and Interconnection Wiring

A connector inside the bottom of the detector supplies wiring terminals for the optional Remote Indicator and Interconnection function.

Figure 2 shows the wiring of the Remote Indicator and/or interconnection.

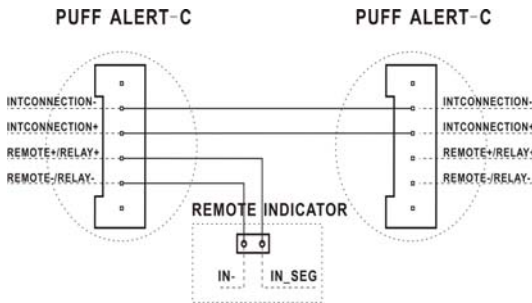


Fig.2 Wiring of the Remote Indicator and/or interconnection

Testing

After installation, a test operation is a must to ensure that the detector works properly.

Press the Multi-function Button continuously at least 1 second for a Manual Test. The buzzer should beep and the LED should flash as described in the Manual Test section.

If the horn does not beep or if the LED does not flash, please do check the following points:

- Is the detector damaged?
- Is the detector clean?
- Are the batteries working properly? Are you using the required battery types? Are the batteries connected properly? Replace the batteries if necessary.

If the detector is still not working, do not attempt to repair it but contact a professional.

False alarms

In case of false alarm, please check if the air around the detector is clear. Fan the air around the smoke alarm if necessary, until the alarm turns off. If the false alarm occurs frequently or continuously, Please consider of maintenance.

Maintenance

Periodic maintenance contributes to a long service life of the Puff Alert-C and ensures a failure-free operation.

- Clean the outside cover with a damp cloth at least every three months (do not use any detergent!).
- Vacuum the outside cover and vents every three months. Never let the vacuum cleaner come in contact with the interior parts of the smoke alarm.

Please note!

The Puff Alert-C requires sufficient power to operate.

- Please use the appropriate type of branded batteries, used only 9-volt lithium battery for the smoke detector
- Please check the polarity of the battery carefully.
- Please verify that the smoke alarm is working properly immediately after replacing the batteries.
- In case of the Battery Warning signal, replace the 9-volt battery immediately. Otherwise please change it at least once per year.
- Puff Alert-C is designed for ceiling mount only.

General

Puff Alert-C will activate the sound warning when it detects cigarette, cigar or pipe smoke. Everything preventing the smoke from reaching the alarm obstructs an early alarm.

A single detector provides only limited coverage and you should consult the supplier if a large area of detection is desired.



FIVE YEAR LIMITED WARRANTY

NOTE: *In order to protect your right, please keep the original purchase receipt for the proof of buying GLT Puff-Alert detector from our authorized dealers. No warranty can be offered without the original purchase receipt.*

GLT warrants enclosed Smoke Detector - but not the battery - to be free from defects in materials and workmanship under normal use and service for a period of five years from date of purchase. GLT makes no other express warranty for this smoke detector. No agent, representative, dealer, or employee of the Company has the authority to increase or alter the obligations or limitations of this Warranty. The Company's obligation of this Warranty shall be limited to the repair or replacement of any part of the detector, which is found to be defective in materials or workmanship under normal use and service during the five year period commencing with the date of purchase. During the initial one-year period commencing with the date of purchase, such repair or replacement shall be made without charge. During the latter four years of the Warranty period, such repair or replacement shall be made at a charge to the Customer not to exceed the manufacturer's cost. Units in need of repair should be returned, shipping prepaid, to Customer Service Department, **GLT**.

The Company shall not be obligated to repair or replace units, which are found to be in need of repair because of damage, unreasonable use, modifications, or alterations occurring after the date of purchase. The duration of any implied Warranty, including that of merchantability or fitness for any particular purpose, shall be limited to the period of five years commencing with the date of purchase. In no case shall the Company be liable for any consequential or incidental damages for breach of this or any other warranty expressed or implied whatsoever, even if the loss or damage is caused by the Company's negligence or fault. Some states do not allow the exclusion or limitation of incidental or consequential damages, so the above limitation or exclusion may not apply to you. GLT makes no warranty, expressed or implied, written or oral, including that of merchantability or fitness for any particular purpose, with respect to the batteries. This warranty gives you specific legal rights, and you may also have other rights which vary from state to state