

CO800G

Addressable Carbon Monoxide Detector (IP54)

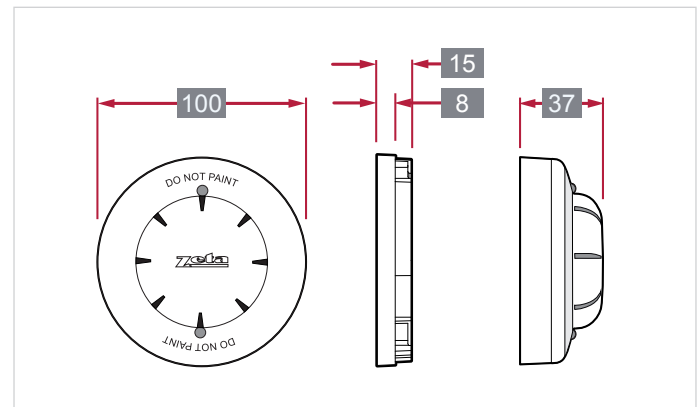


The CO800G is an analogue addressable Carbon Monoxide detector specifically designed for use with the Simplicity CO addressable carbon monoxide monitoring & ventilation panel.

The detector uses an electro-chemical sensor with the detection range of 0 to 600 ppm of carbon monoxide. The detectors address is set via a binary dipswitch on the rear of the detector.

The optimum mounting height for this detector is between 1.5 & 2m from the floor.

| Model | CO800G |
|------------------------|------------------------------|
| Part No | 47-016 |
| Operating Voltage | 17-28 Vdc |
| Standby Current | 500 μ A @ 24 Vdc |
| Operating Temperatures | -20°C to +60°C |
| Max Humidity | 95% RH no condensation |
| Max Wind Speed | Not effected |
| Ingress Protection | IP54 |
| Coverage | 300m ² |
| Sensor / Range | Electro-chemical / 0-600 ppm |
| Sensor Lifetime | 5 years maximum |



CoCheck - Test Cannister

In order to achieve safe testing of the CO detectors, the CoCheck canister with the compatible dispenser can introduce CO safely to the sensor from outside, demonstrating free flow from the atmosphere to the sensor.

The CO contained within the CoCheck canister is at a level which poses no threat to the user when used correctly.

