

Addressable Remote Indicator LED

(ZTA-LE2, ZTA-LE2/10)



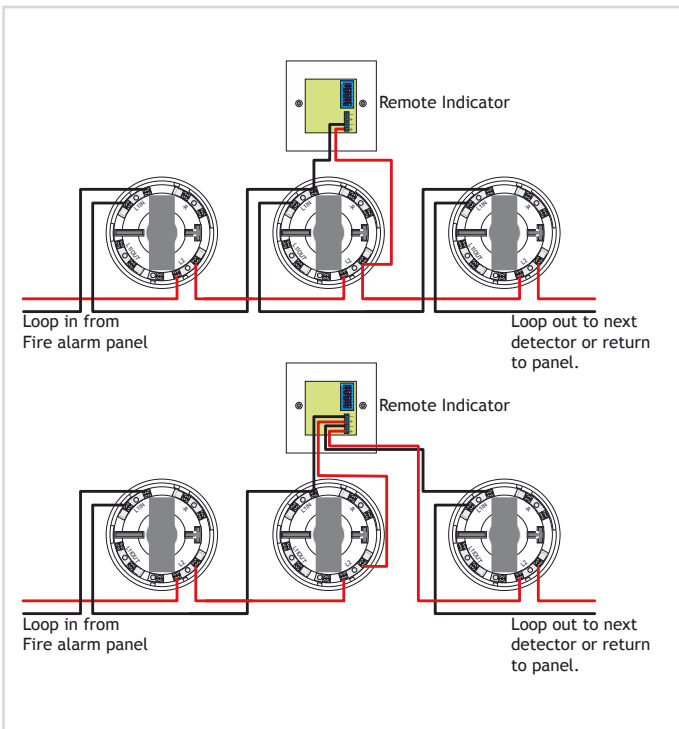
The ZTA-LE2 remote LED indicator has been designed so that it is loop powered and can be installed anywhere on the loop (it can either be connected as part of the loop, or as a spur from the detector it is indicating.). This minimises the amount of wiring from a detector to its remote indicator.

It has the same address as the detector it is indicating and will light whenever the panel tells the detector to do so.

There is also a version that will listen to a number of consecutive addresses, designed for when there are more than one detector behind out of sight.

Features

- ✓ Loop powered
- ✓ 1 or up to 10 address versions available



Model	ZTA/LE2	ZTA/LE2-10
Part No.	48-020	48-020A
Input Voltage	17 -33V DC	
Quiescent Current	1.5 mA	
Alarm Current	10mA	
Addresses Repeated	1	1-10
Colour	White Plastic, Red LEDs	
Operation Colour	Red	
Operating Temperature	-0° C to 50° C	
Maximum Humidity	95% RH N/C	
IP Rating	IP 43	
Size (WxHxD mm)	86 x 86 x 23	
Weight	40 g	