

ZMDD/8R Midi-Tone Conventional Electronic sounder

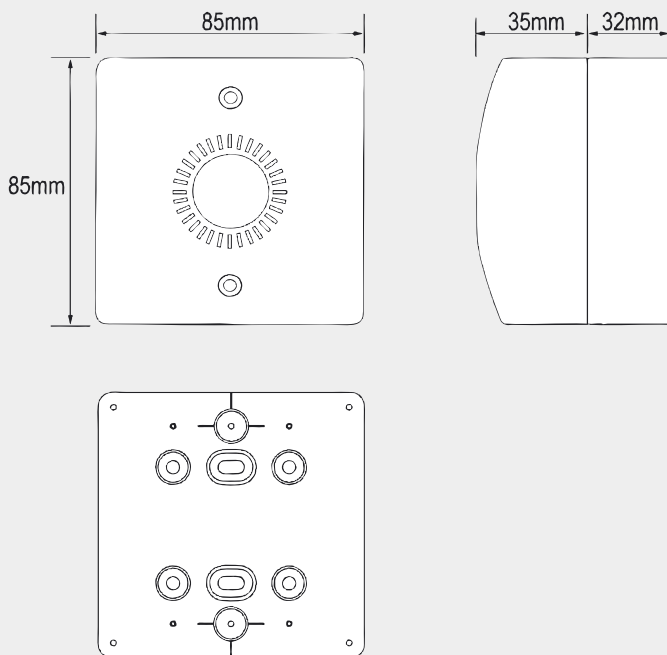


The miditone sounder is a small, high output conventional sounder from Zeta Alarm Systems. It is available in red or white.

It is a compact unit that fits a standard European back box, and can be either surface or flush mounted.

It has a choice of 8 tone patterns, selectable by an internal dip switch, and a sound output of 95 dBA @ 1m with volume control.

This product is designed to meet the requirements of EN54 part 3 and is CE marked.



MODEL	ZMDD/8R	ZMDD/8W
PART NO	42-040	42-040A
Lens Colour	Red	White
Operating Voltage	9-30V DC	
Quiescent Current	0mA	
Sound Output	95 dBA @ 1m	
Alarm Current @ 24V dc	35mA MAX	
Operating Temperature	-10° C to +50° C	
Minimum Continuous Temp	0° C	
Max Humidity	95% RH Non Condensing	
IP Protection Rating	IP 43	
SIZE (WxHxD mm) (With Back box)	85 x 85 x 35 (85 x 85 x 67)	
WEIGHT (With Back box)	100 g (150g)	