

# Zeta Domestic LED CO Alarms

(ZD-CO-9B,ZD-CO-9X)



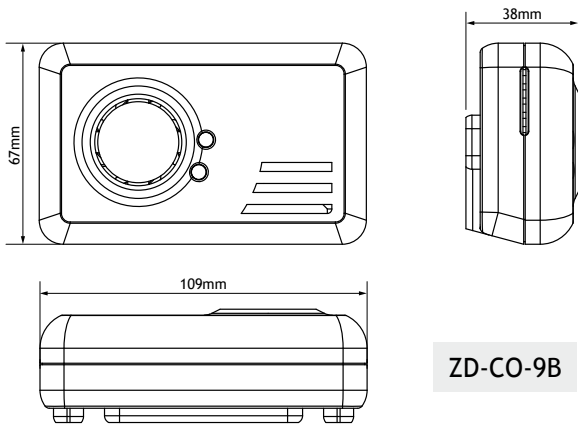
ZD-CO-9B



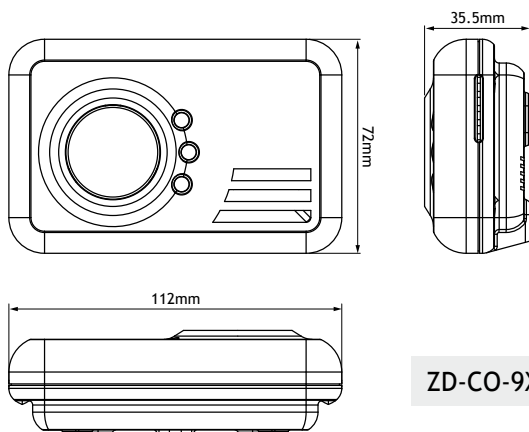
ZD-CO-9X

## Features

- ✓ Portable so can be taken on holiday or installed within the home
- ✓ 85dB alarm at 1 metre (3 feet)
- ✓ Test & reset button
- ✓ Automatic self diagnostic check for sensor and battery
- ✓ Ideal for homeowners, Social landlords to provide tenants, caravan market



ZD-CO-9B



ZD-CO-9X

Model	ZD-CO-9B	ZD-CO-9X
Part No.	47-520	47-521
Technology	Electrochemical cell technology	
Operation AC/DC	DC	
Battery Type	2 x 1.5volt AA Alkaline	6 year sealed for product life
Sound Output	85dB @ 1m	
Operating Temperature	-10° C to 40° C	
Operating Humidity	30% to 90% RH	
Weight	90g	125g