

Maxitone Addressable Sounder & Sounder Flasher (ZAMT/R, ZAMT/W, ZAMTF/R)

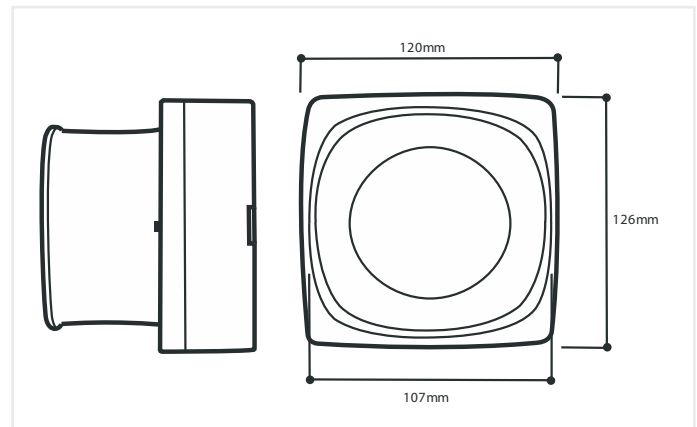


The Maxitone addressable sounder is a large horn sounder suitable for many applications. It can be used on any panel using the Zeta Addressable Protocol. It is available as a sounder only in red or white, or as a combined sounder flasher in transparent red. It is suitable for indoor & outdoor use

It has a large back-box with knockout cable entries, which has plenty of room for fitting the cables.

It has an internal 8 way dip switch for setting the device address, and a sound output of 94 dBA @ 1m

Both units have a built in short circuit isolator to provide system integrity in the event of cable damage



Model	ZAMT/R	ZAMT/W	ZAMTF/R
Part No.	42-007	42-007A	42-
Colour	Red	White	Red
Supply Voltage	17-33V		
Standby Current	0.6mA	0.6mA	0.6mA
Active Current	12mA	12mA	15mA
Sound Output	94dB	94dB	94dB
Number of Tones	2 (Controlled by FACP)		
Flasher	N/A	N/A	Red LED - 2Hz
Operating Temp.	0°C to 50°C		
Max. Humidity	95% RH N/C		
IP Rating	IP 65		
Size	124 x 129 x 100 mm		
Weight	200g		