



The ViLX-CLP-66 weatherproof call button is fully compatible with the Lexicomm EVC range of equipment and the standalone Assist Call range.

IP66 Weatherproof enclosure

Ideal for showers/wet areas

Stainless Fascia

Polycarbonate Back box

Flush or surface mounting

BS 8300-2:2018 "Acknowledge" feature

## Overview

The ViLX-CLP-66 is used to activate the alarm, the call button is recommended for showers and other wet areas where a standard pull cord may be unsuitable.

The call button is finished in brushed stainless steel with a blue indicator for the visual alarm.

## Operation

The button is a momentary sprung switch which illuminates with a blue indicator to confirm operation.

There is a maximum number of 6 call buttons on a single line, with the last one operated registering.

## Mounting Information

It should be mounted at between 800mm to 1000mm with a lower call button mounted at 100mm from the floor.

There are 5 x 20mm cable entries provided, at top, bottom and side entry, cable entry for the rear via cut-out is also provided. See drawings overleaf for full details.

## Wiring Information

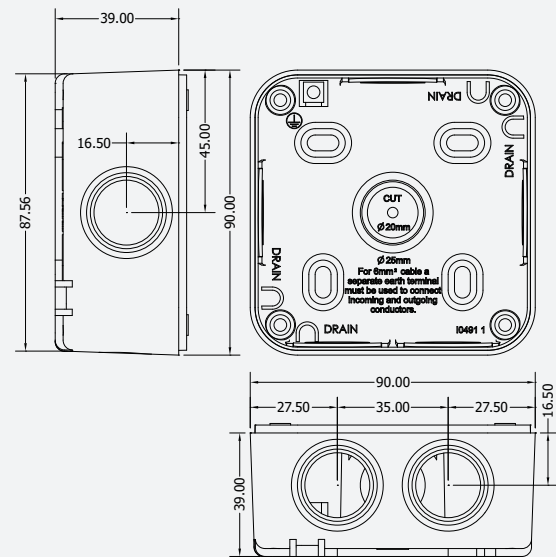
For simplicity, all wiring is a standard two core cable, the wiring order of the devices is not fixed and therefore can be wired in any order to give total flexibility.



## Technical Specification

DETAILS	VILX-CLP-66
<b>PHYSICAL</b>	
Height	100mm
Width	100mm
Depth	60mm
Weight	250 g
Material	Stainless Steel/ Acrylic
Finish	Brushed
<b>PART NUMBERS</b>	
Cancel Plate	VilX-CLP-66
<b>RECOMMENDED CABLES</b>	
Type	PVC or Fire Rated*
Cores	2 core 1mm CSA
Distance	500m from compatible panel/ controller
<b>STANDARDS COMPLIANCE</b>	
EMC	EN 55035:2017+A11:2020 EN 55032:2015+A1:2020
LVD	EN IEC62368-1:2020 + A11:2020
Product Family	BS 5839-9:2021 BS 8300-2:2018
*If connected to a Refuge Point	

## Mounting Box Detail



## ISO View

