

Fire Alarm Bells



The bell remains the most commonly used alarm for fire evacuation systems. Recognising this, VimpeX continue to innovate with their all-aluminium range of fire alarm bells.

Five bells make up the range of 150mm (6 inch) and 200mm (8 inch) internal and external units. Being of aluminium construction, our bells have a very high volume output matched with extremely low power consumption - just 11mA for the 150mm internal.

The specially designed weatherproof bells have an aluminium back box giving either single or double threaded entry for maximum flexibility in installation. This is supplied as a full fixing kit with gasket and screws.

As with the VimpeX sounder range, all bells can be supplied branded with your company logo.

Features

- Low current consumption - only 11mA
- Quickly and easily installed
- Excellent sonorous tone up to 100dB(A) at 1m
- Slim profile
- Fully suppressed and polarised
- Simple installation with multi-fixing base plate
- Purpose-made weatherproof range
- 24V bells certified by LPCB to EN54-3:2001
- 24V bells compliant with Construction Products Directive

StroBell

For a combined Bell and Strobe see the StroBell.

Datasheet Part No. DS/STROBELL or visit vimpeX.co.uk/strobell.



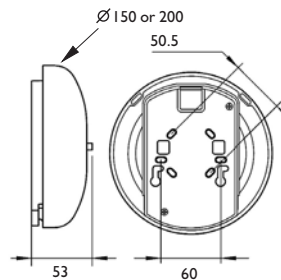
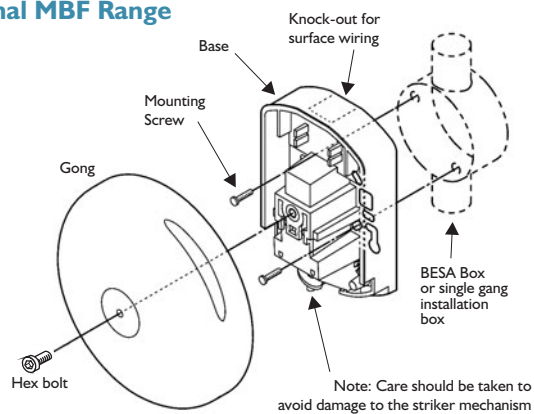
Specification

Description	6" (150mm)	6" (150mm)	8" (200mm)	6" (150mm)	8" (200mm)
	Internal - 12V	Internal - 24V	Internal - 24V	Weatherproof	Weatherproof
Model No.:	MBF-6EV-12	MBF-6EV-24	MBF-8EV	MBA-6 + BBX-4	MBA-8 + BBX-4
Rated Voltage (Vdc):	9.6 - 13.2	20.4 - 27.6	20.4 - 27.6	20.4 - 27.6	20.4 - 27.6
Rated Current @24V (mA):	40	11	17	12	25
Starting Voltage (Vdc):	5.5	19.2	19.2	16.0	16.9
Sound Output dB(A) @ 1m (max):	100.7	96.5	98.8	100.5	100.1
Temperature Range (°C):	-10 to +50				
Humidity Range (%):	45 - 85				
Weight (g), (*with backbox):	410	410	640	780*	1100*
Gong Colour:	Red				
Gong Construction:	Aluminium				

Note: Refer to Sound Output Data sheet (DS/BELLDATA/ISS1) for full data and polar plot

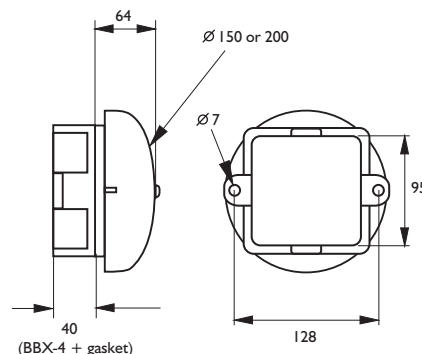
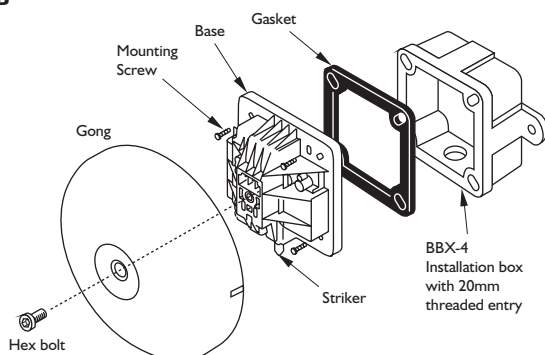
Installation

Internal MBF Range Type A



Mounting holes are provided to suit either BESA single gang installation boxes or for direct wall mounting

Weatherproof MBA Range (IP55) Type B



Mounting holes are located to suit BBX-4 installation box supplied.

Dimensions (mm)

Vimpex Limited

Star Lane, Great Waking
Essex SS3 0PJ England
Tel: +44 (0) 1702 216999
Fax: +44 (0) 1702 216699
E-mail: sales@vimpex.co.uk
www.vimpex.co.uk

