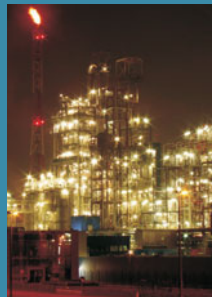


VIMPEX

Hazardous Area Alarms



Intrinsically Safe Products

Hazardous Area

Evacuation

Sounders

Strobes

ATEX

Explosion Proof

Intrinsically Safe

Barriers

Beacons

Banshee IS28 MK5 Intrinsically Safe Sounder

With 32 high and low frequency tones to suit a wide range of applications.

ATEX and IECEx approved for use in Zones 0 and 20 (Gas and Dust) and is suitable for use in zones 0, 1, 2, 20, 21 and 22.

The product should only be connected to the fire alarm system via an approved galvanic isolator or zener barrier. These devices are available from VimpeX along with a suitable enclosure.

Features

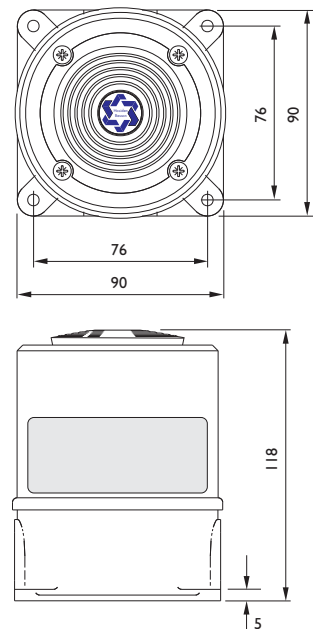
- Based on the world class Hosiden Besson Banshee Sounder
- Gas and Dust Approvals
- 32 Tones
- Volume control via DIP Switch
- High output
- Low Current Consumption
- IP66 Rated



Specification

Ordering Code:	8655000 or 8655100 for Group I TSA approved product
Power Supply:	24 Vdc
Typical Current:	15 mA (high frequency tones), 11 mA (low frequency tones) (@24 Vdc via a 28 V 300 Ω barrier)
Output @ 1 m:	100 dBA (high frequency) 92 dBA (low frequency)
Intrinsic Safety Approval:	IEC60079-0:2007-10 Edition 5 IEC60079-11: 2006 Edition 5 IEC60079-26: 2006 Edition 2 IEC61241-11: 2005 Edition 1 Group II, Category I, Explosive Atmosphere G (Gas) and D (Dust) IECEX ITS10.0050X IECEX TSA 06.0026X (Ordering Code 8655100 only) Ex ia IIC T5 Ga Ex ia IIIC T100degC Da IP66 ATEX - II IGD Ex ia T5 Ga
Installation:	Connection must be made via a certified galvanic isolator or zener barrier with output parameters not exceeding $U=28\text{ V}$, $I_i=93\text{ mA}$, $P_i=0.65\text{ W}$, $L_i=0$, $C_i=0$. The output current of the barrier must be limited by resistor 'R' such that $I_i=U_i/R$.
Suitable for Zones:	0, 1, 2, 20, 21 and 22
Operating Temperature:	-40 to +70 °C
IP Rating / Material:	IP66 / ABS
Weight:	0.6 kg

Dimensions (mm)



Please refer to drawing No. 81622 Iss A for the IS28 wiring specification.

Intrinsically Safe Beacon

The IS FlashDome is an intrinsically safe beacon for use in hazardous areas. Certified to ATEX and IEC Ex, the IS FlashDome is designed for use in Zones 0, I & 2.

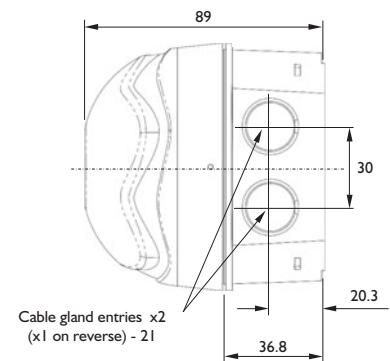
In order to be intrinsically safe, the IS FlashDome must be powered via an approved 28 V 300 Ω zener barrier or galvanic isolator. Suitable barriers and isolators are available from VimpeX.



Specification

Ordering Code:	8645700
Power Supply:	15 - 28 Vdc
Current:	5 mA (@24 Vdc via a 28 V 300Ω barrier)
Flash Frequency:	1 Hz (1 flash/second)
Intrinsic Safety Approval:	EN 60079-0:2004, N60079-26:2004, EN50020:2002* II 1G EEx/Ex ia IIC T4 (-40°C < Ta < +70 °C) II 1G EEx/Ex ia IIC T5 (-40°C < Ta < +40 °C) ITS06ATEX25407X IEC Ex ITS06. 0018X WEEE Compliant
Installation:	Connection must be made via a certified galvanic isolator or zener barrier with output parameters not exceeding U _i =28V, I _i =93mA, P _i =0.66W. The output current of the barrier must be limited by resistor 'R' such that I _i =U _i /R
Suitable for Zones:	0, I, 2
Operating Temperature:	-40 to +70 °C
IP Rating / Material:	IP66 / Body - Flame retardant ABS Lens - Polycarbonate
Weight:	0.14 kg

Dimensions (mm)



* Except in respect of those requirements referred to at item 18 of Intertek certificate no. ITS06ATEX2540X

Barriers & Isolators

DIN rail mounted MTL galvanic isolators and zener barriers for use with both the IS28 sounder and the IS FlashDome beacon are available from VimpeX.

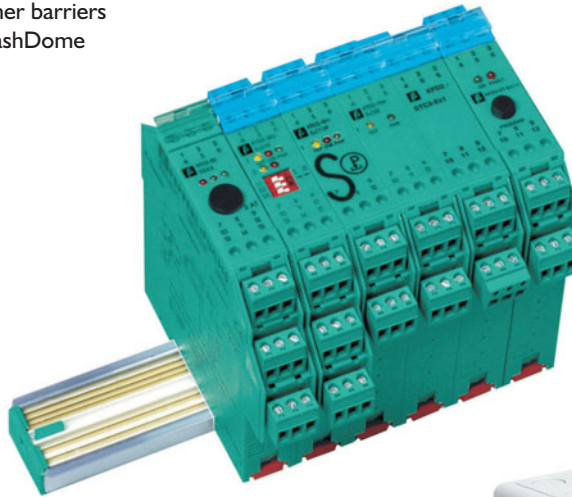
Ordering Codes

1 Channel Galvanic Isolator:
PF-KFDO-SD2-Ex1.1045

2 Channel Galvanic Isolator:
PF-KFDO-SD2-Ex2.1045

Zener barrier:
PF-Z978

Note: Galvanic isolators do not allow for reverse-polarity monitoring.



ECO-90-PC
Enclosure for 2
Galvanic Isolators
or 3 Zener
Barriers.



About VimpeX

VimpeX are acknowledged experts in voice sounder and audible/visual evacuation technology. The Fire-Cryer® Voice Sounder is testimony to VimpeX's enthusiasm for innovation and a fresh approach to life safety during evacuation.

From its highly efficient distribution warehouse, VimpeX can supply a complete range of voice sounders, audible and visual alarms and accessories. All bells and sounders can be brand labelled, if required.

Commitment to third party approval and testing has meant massive investment both by VimpeX and its suppliers to gain third party approval on a growing mix of products including the Banshee Excel™ Sounders, Fire Alarm Bells and ReSet Call Point.



Assessed to ISO 9001
Cert/LPCB ref. 456

VimpeX Limited

Star Lane, Great Wakering
Essex SS3 0PJ England
Tel: +44 (0) 1702 216999
Fax: +44 (0) 1702 216699
E-mail: sales@vimpeX.co.uk
www.vimpeX.co.uk

DS/EXIS/ISS 14

VIMPEX
Shaping Alarm Technology