



IDENTIFIRE VID VISUAL INDICATION DEVICE

A range of Visual Indication Devices suitable for use on fire, security and other building control systems.

Used as an ancillary visual alarm in fire systems; Identifire VIDs are suitable for conventional and 2-wire fire systems as well for general alarm and signalling systems.

As with the wider Identifire range, the product is designed to fit any recessed single gang box, giving a flush finish or surface mounted using the Identifire surface box.

Body colours available are Red and White.
Strobe colours available are Red, Clear, Amber, Blue and Green.

In common with all other Identifire products, our Visual Indication Device can be customised with your choice of logo and text in any language*

FEATURES

- Aesthetically appealing design
- Features 4 x 20mm knockouts for surface and glanded entry
- Choice of 5 coloured lenses for fire, security, access control and general signalling

SPECIFICATION

Operating Voltage	20 - 28 V dc
Current Consumption	8 mA at 24 V dc
Weight	0.06 kg
Operating Temperature	-5°C to +50°C
Material	Fire rated ABS



FLUSH MOUNTED



SURFACE MOUNTED



*Minimum order quantities / setup charge may apply

Identifire product is compatible with 2 wire fire alarm systems.
List of compatible control panels available.



IDENTIFIRE

IDENTIFIRE VID

VISUAL INDICATION DEVICE

PART CODE - FLUSH MOUNTED

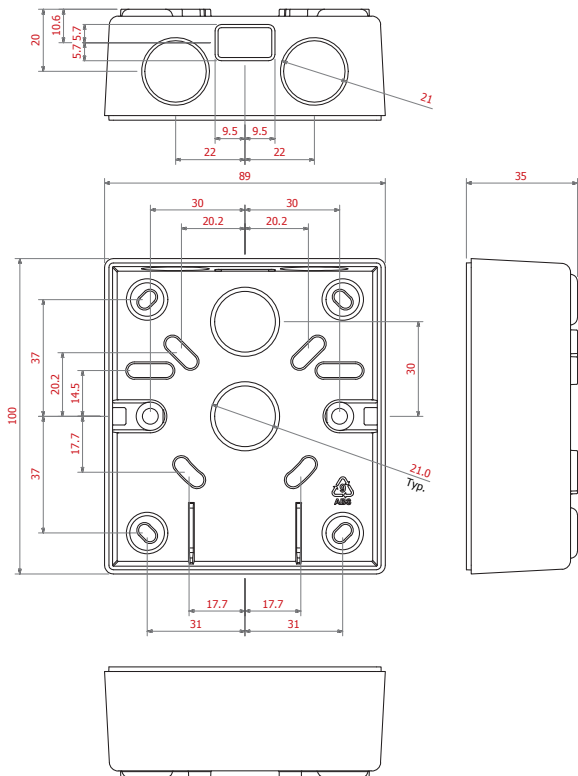
Part Code	Part Name
10-1310RFR-S	Identifire VID Flush, Red, Red
10-1310RFW-S	Identifire VID Flush, Red, White
10-1310WFR-S	Identifire VID Flush, White, Red
10-1310FWF-S	Identifire VID Flush, White, White
10-1310WFA-S	Identifire VID Flush, White, Amber
10-1310WFB-S	Identifire VID Flush, White, Blue
10-1310WFG-S	Identifire VID Flush, White, Green

PART CODE - SURFACE MOUNTED

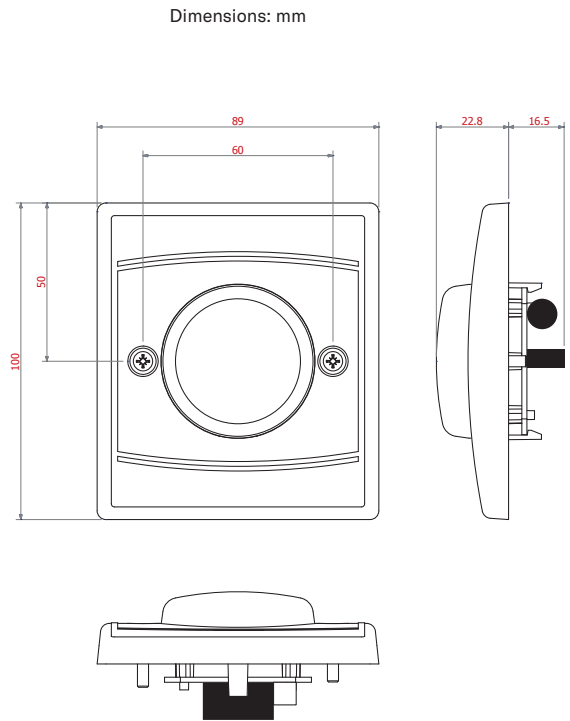
Part Code	Part Name
10-1310RSR-S	Identifire VID Surface Mount, Red, Red
10-1310RSW-S	Identifire VID Surface Mount, Red, White
10-1310WSA-S	Identifire VID Surface Mount, White, Amber
10-1310WSB-S	Identifire VID Surface Mount, White, Blue
10-1310WSG-S	Identifire VID Surface Mount, White, Green
10-1310WSR-S	Identifire VID Surface Mount, White, Red
10-1310WSW-S	Identifire VID Surface Mount, White, White

TECHNICAL DRAWING

BACK BOX



VISUAL INDICATION UNIT



DS/3700046/ISS 2

We reserve the right to change or amend any design or specification in line with our policy of continuing development and improvement.

Vimpex LTD
 Star Lane, Great Wakering,
 Essex SS3 0PJ, UK
 t. +44 (0) 1702 216999
 e. sales@vimpex.co.uk
www.vimpex.co.uk

Vimpex Interguard AB
 t. +46 (0) 36 37 10 65
 e. sales@vimpex.se



Quality System Certificate No. 456
 Assessed to ISO 9001