

# IDENTIFIRE

## TRITONE SOUNDER

With a low profile sleek design, the Identifire Tritone sounder is ideal for standard installations and where aesthetics are an important consideration.

Suitable for conventional sounder circuits, notification alarm circuits and 2-Wire alarm systems. Tritone's low operating current means it can easily be interfaced onto Analogue Addressable fire alarm systems with a suitable output module.

As with the wider Identifire range, the product is designed to fit any recessed single gang box, giving a flush finish or surface mounted using the Identifire surface box.

Body colours available are Red and White.

In common with all other Identifire products, our Tritone Sounder Unit can be customised with your choice of logo and text in any language\*

### FEATURES

- Aesthetically appealing design
- Sounder approved by UL to EN 54 Part 3
- Features 4 x 20mm knockouts for surface and glanded entry

### SPECIFICATION

Selectable Output	High: 92-96 dB(A) / Low: 86-90 dB(A)
Current Consumption	6 mA at 24 V dc
Weight	0.06 kg
Operating Temperature	-5°C to +50°C
Material	Fire rated ABS
Operating Voltage	20 - 28 V dc

### PART CODE

Part Code	Part Name
10-1010RFX-S	Identifire Tritone Sounder Flush Mount, Red
10-1010RSX-S	Identifire Tritone Sounder Surface Mount, Red
10-1010WFX-S	Identifire Tritone Sounder Flush Mount, White
10-1010WSX-S	Identifire Tritone Sounder Surface Mount, White



FLUSH MOUNTED



SURFACE MOUNTED



\*Minimum order quantities / setup charge may apply

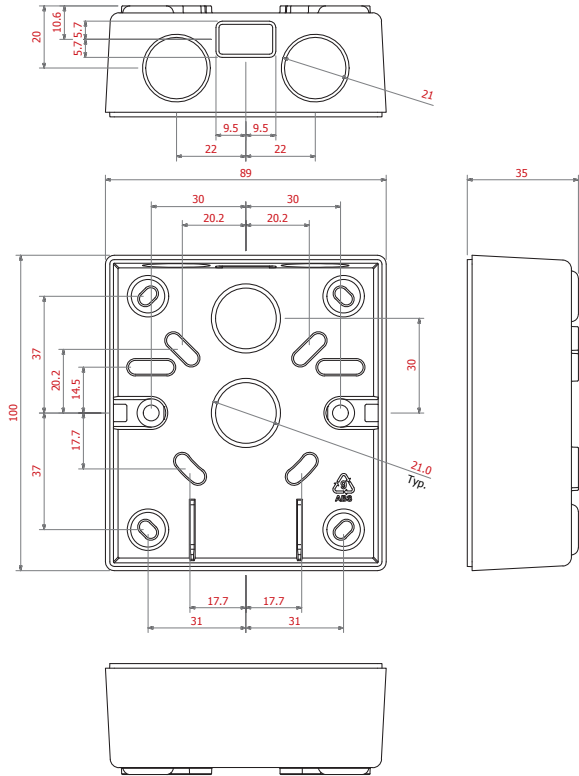
Identifire product is compatible with 2 wire fire alarm systems.  
List of compatible control panels available.

# IDENTIFIRE

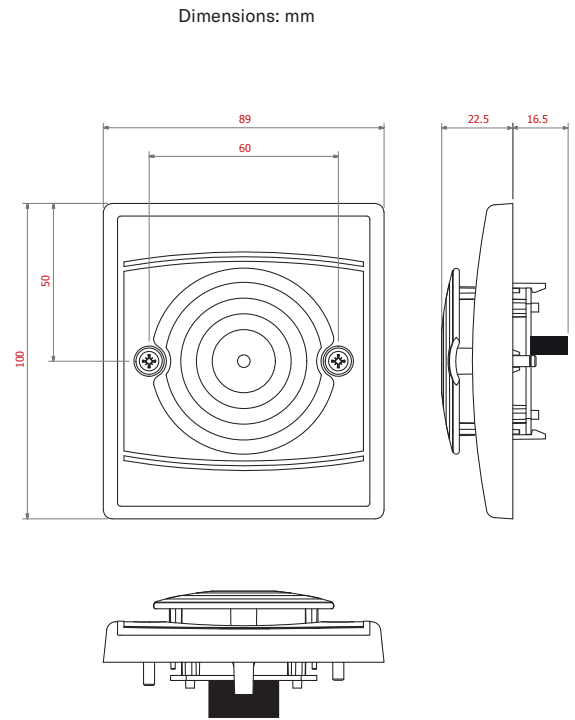
## TRITONE SOUNDER

TECHNICAL DRAWING

BACK BOX



TRITONE SOUNDER UNIT



Dimensions: mm

DS/3700044/ISS 3

We reserve the right to change or amend any design or specification in line with our policy of continuing development and improvement.

**Vimpex LTD**  
 Star Lane, Great Wakering,  
 Essex SS3 0PJ, UK  
 t. +44 (0) 1702 216999  
 e. sales@vimpex.co.uk  
[www.vimpex.co.uk](http://www.vimpex.co.uk)

**Vimpex Interguard AB**  
 t. +46 (0) 36 37 10 65  
 e. sales@vimpex.se



Quality System Certificate No. 456  
 Assessed to ISO 9001