

# STI Stopper II®



## PRODUCT OVERVIEW

Larger cover helps prevent malicious or accidental false fire alarms. Physically larger than the Stopper, the Stopper II is a unique device which has helped prevent false fire alarms around the world for more than 30 years, without restricting legitimate operation of devices such as fire alarm break glass call points. It is ideal for schools, colleges, hospitals, nursing homes, hotels and all public buildings where there is a history or a threat of false fire alarms.

## HOW IT WORKS

The Stopper II consists of a clear, tamperproof, tough polycarbonate cover and frame that retrofits over the break glass call point. When lifted to gain access to the break glass, its optional battery powered integral sounder emits a piercing 95 dB or 105 dB (at 1 metre). Immediate attention is drawn to the area and the prankster will either run or be caught.

## KEY FEATURES

### General Information

- Larger cover helps prevent malicious or accidental false fire alarms.
- Three year guarantee against breakage of polycarbonate in normal use (one year on electromechanical and electronic components).

### Design

- Prevents false fire alarms without hindering legitimate operation of a manual call point in the event of an emergency.

### Construction

- Tough polycarbonate housing can withstand the severest of knocks.

### Installation

- A simple 4 fixing installation can retrofit over existing device.
- Can accommodate flush or surface mounted applications.
- Polycarbonate tested -40°C (-40°F) to 49°C (120°F).

### Electronics

- Available with or without a 95 dB integral sounder, powered by a 9V PP3 battery (included).
- Optional 12-24 VDC powered units.

### Options

- Break seal facility option for added security.
- Available in a range of colours.
- Custom labelling available.



For more information, call +44 (0)1527 520 999 or visit [www.sti-europe.com](http://www.sti-europe.com)



**Safety Technology  
International (Europe) Ltd**

# STI Stopper II®

## Dimensions and Technical Information

### MODELS AVAILABLE

- STI 1200** Stopper II flush mounted without integral sounder
- STI 1230** Stopper II surface mounted without integral sounder  
(includes 50mm spacer)
- STI 1100** Stopper II flush mounted with integral sounder
- STI 1130** Stopper II surface mounted with integral sounder  
(includes 50mm spacer)

#### Accessories:

- STI 3100** 50mm spacer (supplied with STI 1130 & STI 1230)
- STI 1280** Backplate (for irregular surfaces)
- STI/BS** Break Seals (quantity 10)

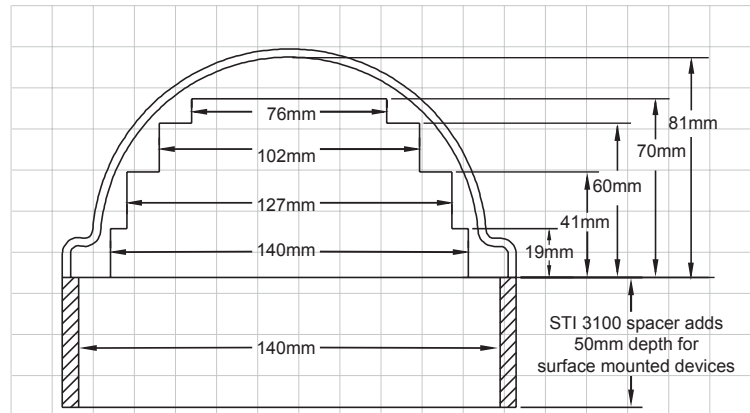
#### Options:

- COLOURS AVAILABLE** For green, blue or yellow add /G, /B or /Y  
(e.g. STI 1200/G for Stopper II flush mounted without integral sounder in green)

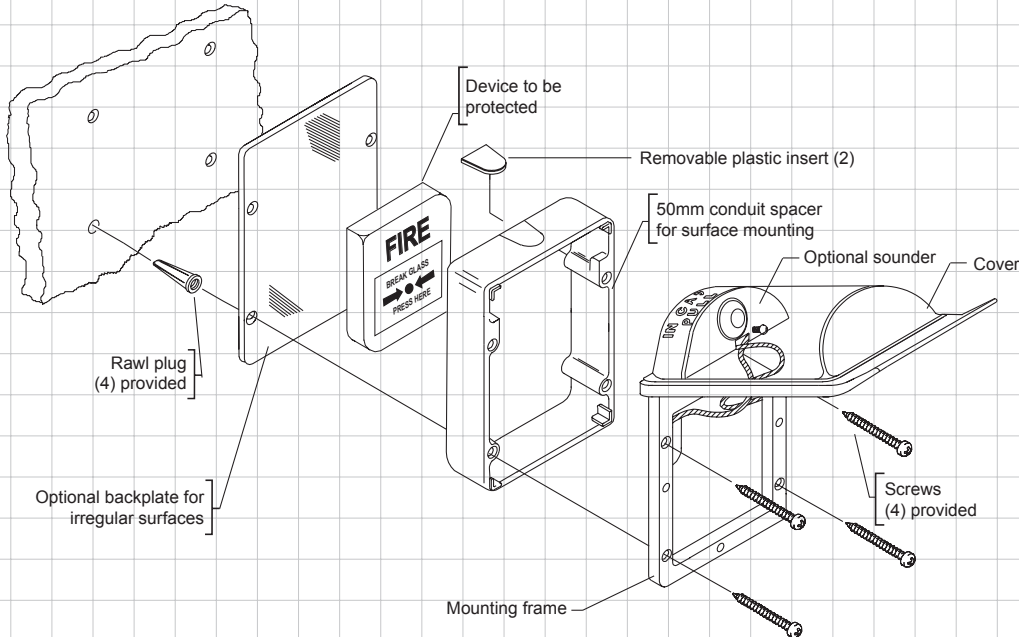
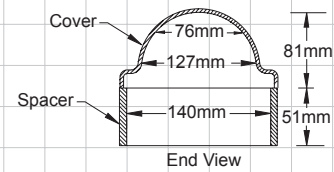
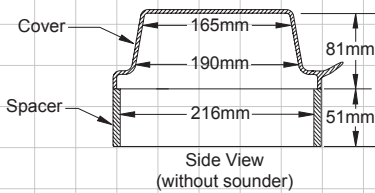
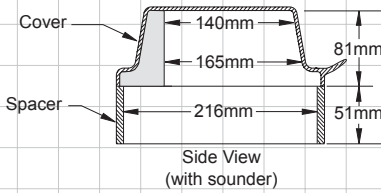
#### SECURITY

- NB:** Break Seal facility, add /BS

The Stopper II is supplied in red with operating instructions:  
'IN CASE OF FIRE - LIFT COVER BREAK GLASS'.  
Alternative and custom markings available.



Depth Chart



**Safety Technology  
International (Europe) Ltd**

**UK Office**  
Unit 49G Pipers Road  
Park Farm Industrial Estate  
Redditch, Worcestershire  
B98 0HU, England

Tel: +44 (0)1527 520 999  
Fax: +44 (0)1527 501 999  
info@sti-europe.com  
www.sti-europe.com

**USA Head Office**  
2306 Airport Road  
Waterford, Michigan  
48327 - 1209

Tel: +248-673-9898  
Fax: +248-673-1246  
Toll-free: 0800-888-4STI  
info@sti-usa.com  
www.sti-usa.com