

STI Euro Stopper®



Call Points sold separately

PRODUCT OVERVIEW

Protective cover helps prevent malicious or accidental false fire alarms. This newly styled protective cover further enhances the Stopper® range, which has helped to prevent false fire alarms around the world for decades, without restricting legitimate operation of devices such as fire alarm break glass call points. Sleeker and less intrusive in its design, this compact device incorporates the existing features of the Stopper but is now visibly smaller. The new hinge arrangement increases the durability, strength and quality of this essential protective cover. Ideal for schools, colleges, hospitals, nursing homes, hotels, factories, leisure centres and all public buildings where there is a history or a threat of false fire alarms or any unwanted activation of call points and switches.

HOW IT WORKS

The Euro Stopper consists of a clear, tamperproof, tough polycarbonate cover and frame that retrofits over the break glass call point. When lifted to gain access to the break glass, its optional battery powered integral sounder emits an ear piercing 96 dB (at 1 metre). Immediate attention is drawn to the area and the prankster will either run or be caught.

ABOUT THE *Glow Guide*

The Glow Guide is a unique material that is embedded in the perimeter of the frame and illuminates in the dark. It creates a radiant glow around the manual call point making it easier to locate in unlit areas. Glow Guide comes as standard with all models.

KEY FEATURES

General Information

- Protective cover helps prevent malicious or accidental activations of call points and switches.
- Three year guarantee against breakage of polycarbonate in normal use (one year on electromechanical and electronic components).

Design

- Prevents false alarms and unwanted activation, without hindering legitimate operation of a manual call point in the event of an emergency.
- Glows in the dark.

Construction

- Tough polycarbonate housing can withstand the severest of knocks.

Installation

- A simple 4 fixing installation can retrofit over existing device.
- Can accommodate flush or surface mounted applications.
- Typical working properties of polycarbonate are -40°C to 121°C (-40° to 250°F).

Electronics

- Available with or without a 96 dB integral sounder, powered by a 3V lithium battery.
- Optional 12-24 VDC powered units.

Options

- One breakseal is supplied with each model. Additional breakseals are available for added security.
- Available in a range of colours.
- Custom labelling available.
- For further Red and Green options, see Euro Stopper Multi Kit.

Remote Wireless Monitoring of Call Points

- You can now be alerted to any vandalism or authorised use of a manual call point in the event of an emergency. Upon activation, the Euro Stopper (when fitted with an optional transmitter and sounder) will emit a localised alarm as well as triggering the 8-Channel Receiver (STI 34108), providing a visual and audible indication, remotely.

STI Euro Stopper®

Dimensions and Technical Information

BUILD YOUR OWN MODEL

STI-1 5 -

Prefix: 5 = Euro Stopper	
Mounting Options: 0 = Flush Mount C = 32mm Surface Spacer D = 50mm Surface Spacer	
Sounder & Wireless Options: 10 = Label Hood without Sounder 20 = Label Hood with Sounder 30 = Label Hood with Sounder/Relay	
Colour & Label Options:	
No Label	Custom Label*
NK = Black	CK = Black*
NB = Blue	CB = Blue*
NG = Green	CG = Green*
NE = Orange	CE = Orange*
NR = Red	CR = Red*
NW = White	CW = White*
NY = Yellow	CY = Yellow*
*Custom Label = Max. 2 lines, 20 characters per line including spaces	

Accessories:

- STI-6506** 32mm spacer (supplied with STI-15C10, STI-15C20 & STI-15C30)
- STI-6507** 50mm spacer (supplied with STI-15D10, STI-15D20 & STI-15D30)
- STI-6508** Backplate for Euro Stopper Series
- STI/BS** Break seals (Pack of 10)
- CKE-015-LIT** Sounder Cartridge
- CKE-015** Sounder Cartridge with relay and 12-24 connection
- KIT-EA135** Servicing Pin
- KIT-319** Remote wiring harness (CKE-015 required when looking to upgrade model)

EURO STOPPER MULTI KIT

For further Red & Green options, see Euro Stopper Multi Kit Literature.

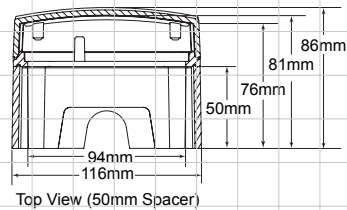
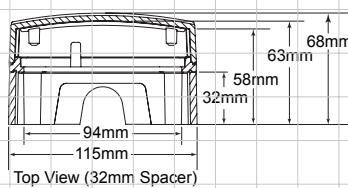
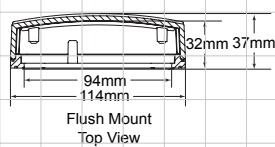
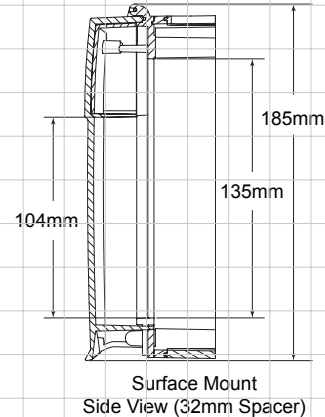
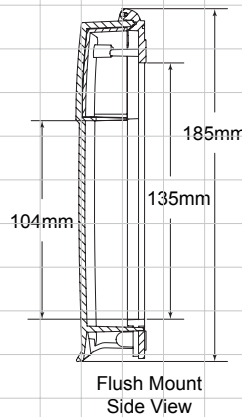
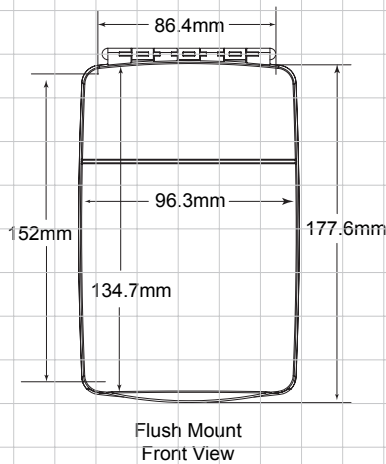
The Euro Stopper Multi Kit comes in kit form allowing the user to assemble the product in the best way to suit their applications.

The Euro Stopper is supplied with red housing shell with operating instructions: 'IN CASE OF FIRE – LIFT COVER BREAK GLASS', and green housing shell with operating instruction 'IN CASE OF EMERGENCY - LIFT COVER BREAK GLASS TO OPEN DOOR'. Space above is available to affix a label, achieving dual language operating instructions. Multi-lingual labels are supplied as standard. All Euro Stopper Multi Kit frames come with Glow Guide as standard and one breakseal.

Euro Stopper Multi Kit Product Codes:

- STI-15010ML** Euro Stopper Multi Kit - Flush Non Sounder
- STI-15C10ML** Euro Stopper Multi Kit - Surface (32mm spacer) Non Sounder
- STI-15D10ML** Euro Stopper Multi Kit - Surface (50mm spacer) Non Sounder
- STI-15020ML** Euro Stopper Multi Kit - Flush with Sounder
- STI-15C20ML** Euro Stopper Multi Kit - Surface (32mm spacer) with Sounder
- STI-15D20ML** Euro Stopper Multi Kit - Surface (50mm spacer) with Sounder

For further information on the Euro Stopper Multi Kit please contact Sales.



Safety Technology International

Taylor House
34 Sherwood Road
Bromsgrove
Worcestershire
B60 3DR, England

Tel: +44 (0)1527 520 999
Fax: +44 (0)1527 501 999
info@sti-emea.com
www.sti-emea.com

2306 Airport Road
Waterford, Michigan
48327, USA

Tel: 248-673-9898
Fax: 248-673-1246
Toll-free: 0800-888-4784
info@sti-usa.com
www.sti-usa.com