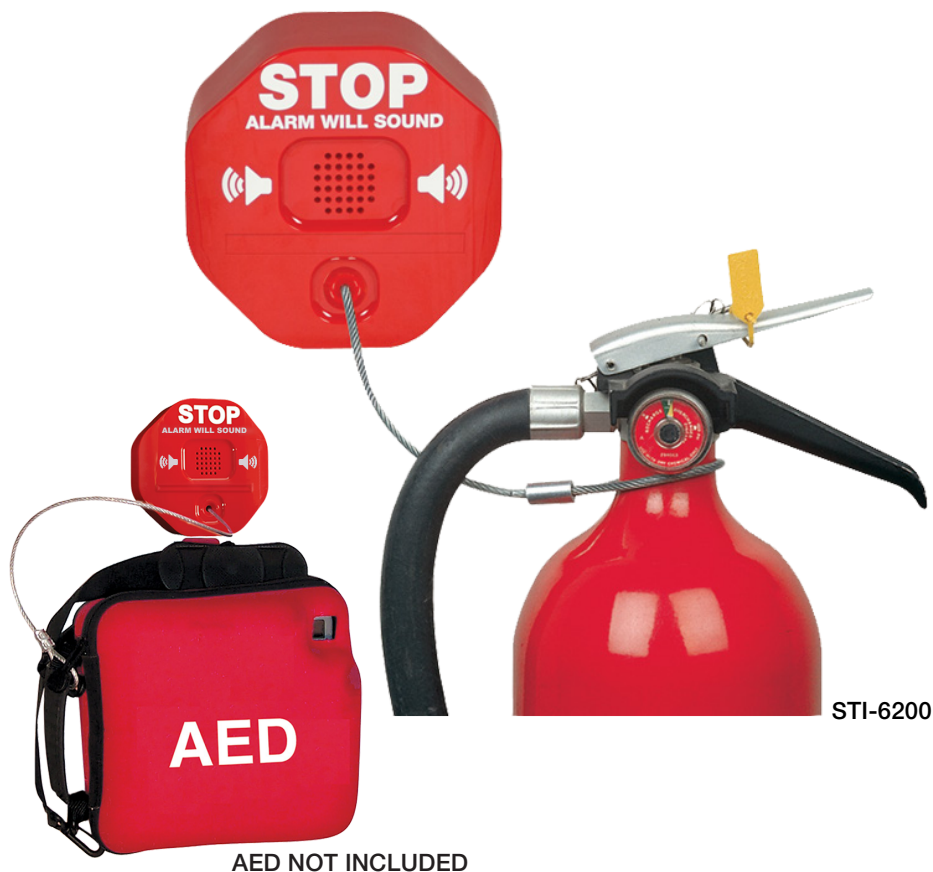


STI Theft Stopper®



AED NOT INCLUDED

STI-6200

PRODUCT OVERVIEW

If you are looking for a way to protect Fire Extinguishers, AED's and Evacuation Chairs from theft and unwanted use, this sturdy, self-contained alarm is the answer. It has proven highly effective in helping prevent theft, misuse or vandalism of fire extinguishers and other important devices. The Theft Stopper leaves the protected devices accessible for emergencies and does not interfere with use in any way.

HOW IT WORKS

If the protected device is moved from its normal position, the device emits a piercing alarm. Also, the highly visible stop sign design and the words "STOP, ALARM WILL SOUND" discourages wrongful use. The device is easy to install and a deactivation cable is supplied for ease in servicing the device. A 9 VDC alkaline battery is included.

KEY FEATURES

General Information

- It has proved highly effective in helping prevent theft, misuse or vandalism of fire extinguishers, AED' and evacuation chairs.
- Does not interfere with use of protected firefighting equipment.
- Three year guarantee against breakage of the polycarbonate housing (one year on electromechanical and electronic components).

Design

- Compact design (136mm diameter x 50mm deep) mounts easily next to the protected device.
- Add warning in second language with provided labels (21 languages).

Construction

- Virtually indestructible polycarbonate housing.
- Polycarbonate is UV-stabilised.
- Self-contained device, tamperproof and sturdy.

Installation

- Easy to install.
- Deactivation cable is supplied for ease of servicing the protected device.
- Supplied complete with an operating cable kit, allowing the connection to the device

Options

- Option of coming with a built in wireless device, used in conjunction with the 8-Channel Receiver.
- Deactivation cable is provided for service by authorised personnel.

Remote Wireless Monitoring of Life Safety Equipment

- You can now be alerted to any vandalism or authorised use of life safety equipment in the event of an emergency. Upon activation, the Theft Stopper (when fitted with an optional transmitter and sounder) will emit a localised alarm as well as triggering the 4-Channel (STI-34104) or 8-Channel Receiver (STI-34108), providing a visual and audible indication, remotely.

STI Theft Stopper®

Dimensions and Technical Information

MODELS AVAILABLE

- STI-6200** Theft Stopper (includes operating cable kit)
- STI-6200WIR** Wireless Theft Stopper
- STI-6200WIR4** Wireless Theft Stopper with 4-Channel Receiver
- STI-6200WIR8** Wireless Theft Stopper with 8-Channel Receiver

Accessories:

- KIT-18015-9** Service/deactivation cable
- KIT-18015-RC** Operating cable kit (includes operating cable and seal)
- KIT-H18011** Seal
- KIT-H19016** Tamper Tool (x2)

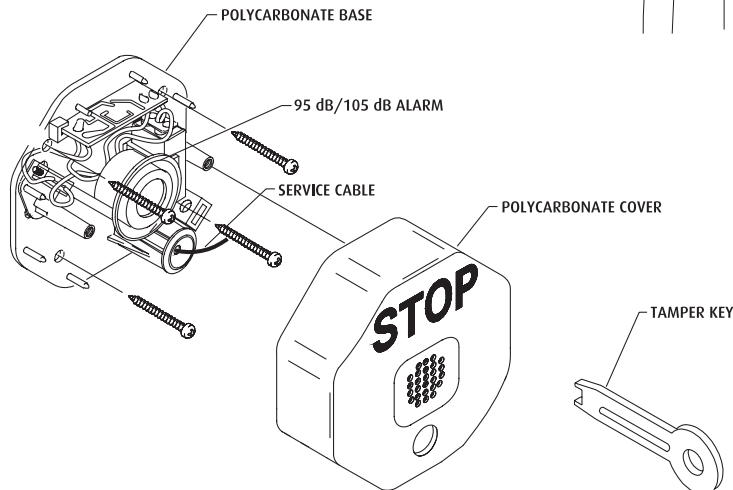
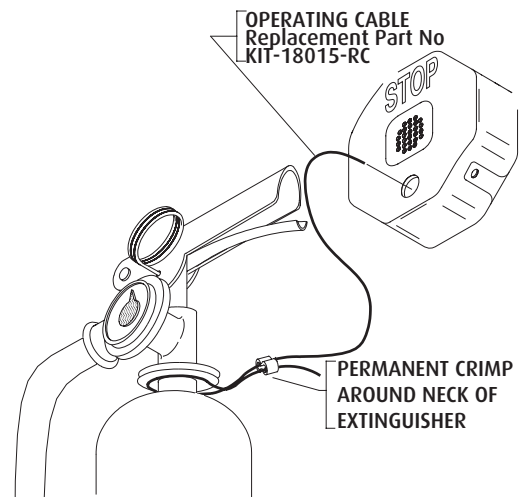
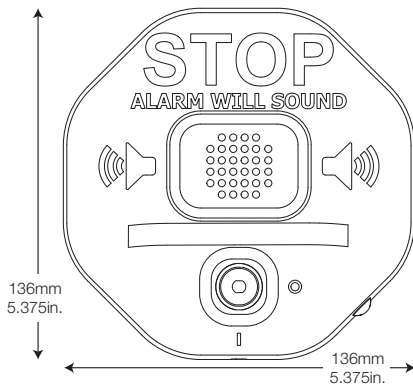
NB:

The STI-6200 comes complete with everything needed for a single device installation

SPECIFICATIONS

Housing	3mm polycarbonate
Dimensions	136mm H x 136mm W x 50mm D
Power Source	9 VDC Alkaline
Sounder Output (at 1 metre)	95 dB - low/ 105 dB - high
Operating Cable	3mm galvanised steel
Standby Current	None
Alarm Current	40 mA at 95 dB / 150 mA at 105 dB

* 12 VDC and 24 VDC models are available



Replacement part No:
KIT-H19016



Safety Technology International

Taylor House
34 Sherwood Road
Bromsgrove
Worcestershire
B60 3DR, England

Tel: +44 (0)1527 520 999
Fax: +44 (0)1527 501 999
info@sti-emea.com
www.sti-emea.com

2306 Airport Road
Waterford, Michigan
48327, USA

Tel: 248-673-9898
Fax: 248-673-1246
Toll-free: 0800-888-4784
info@sti-usa.com
www.sti-usa.com