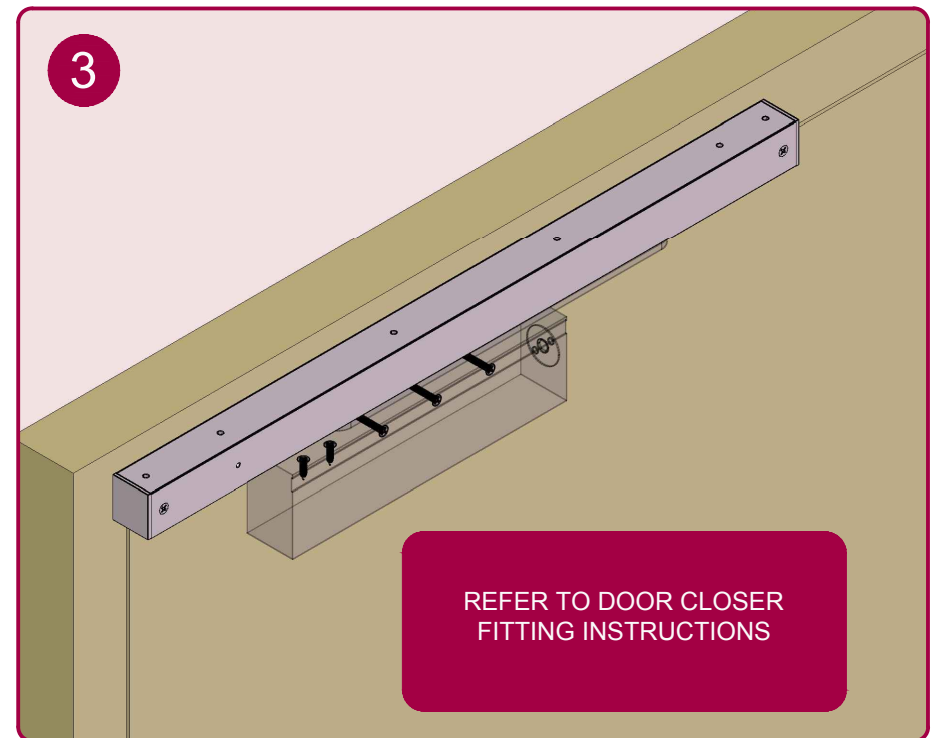
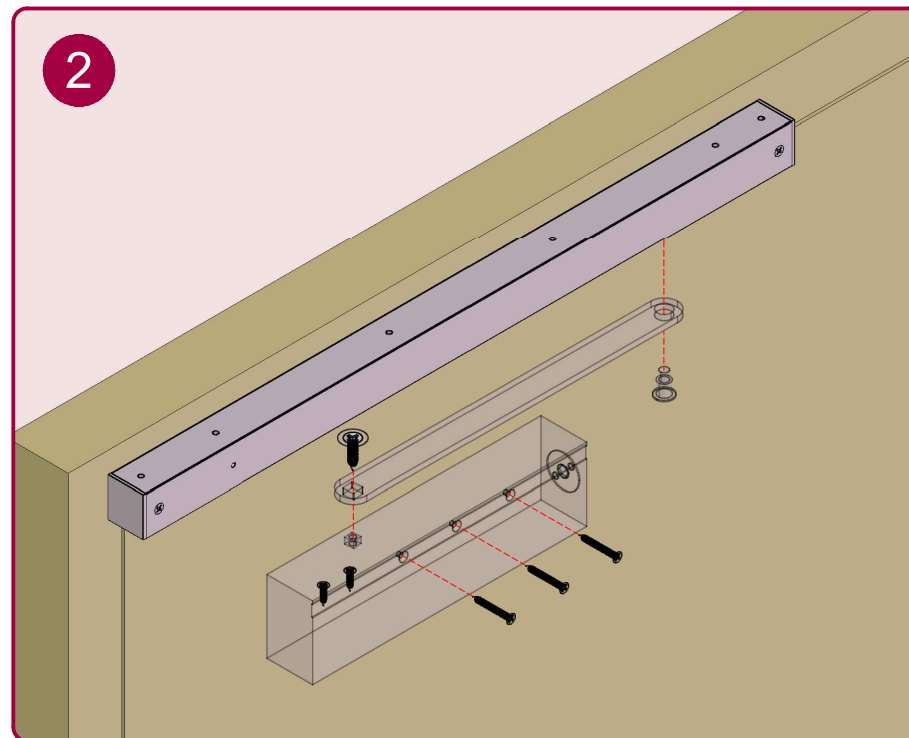
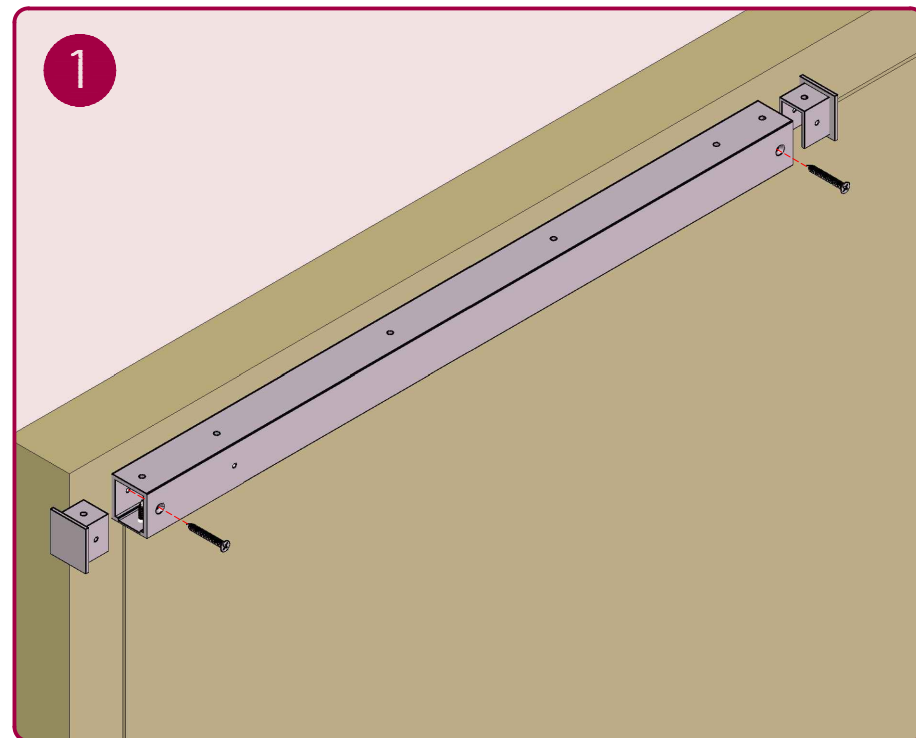
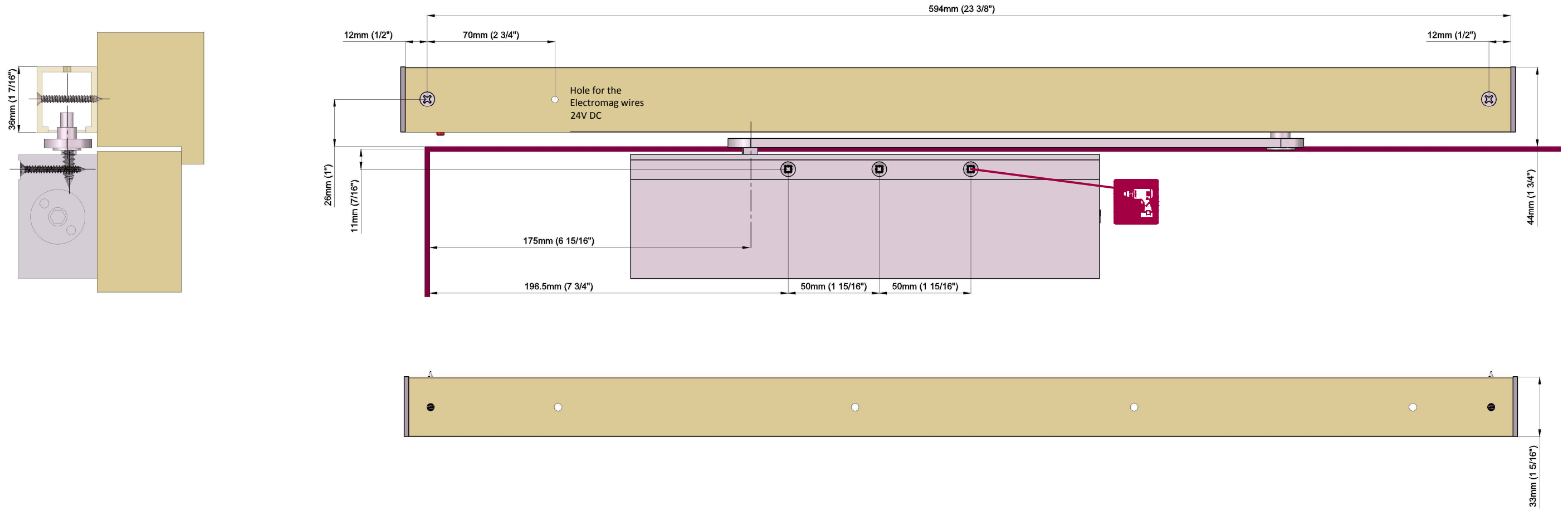
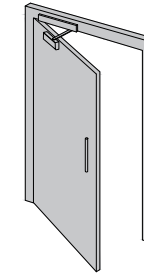




# Electromagnetic Slide Arm TS FIRETRAK

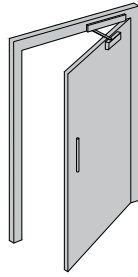
200618

www.rutlanduk.co.uk



THE PINION BOLT MUST BE TIGHTENED TO 12NM

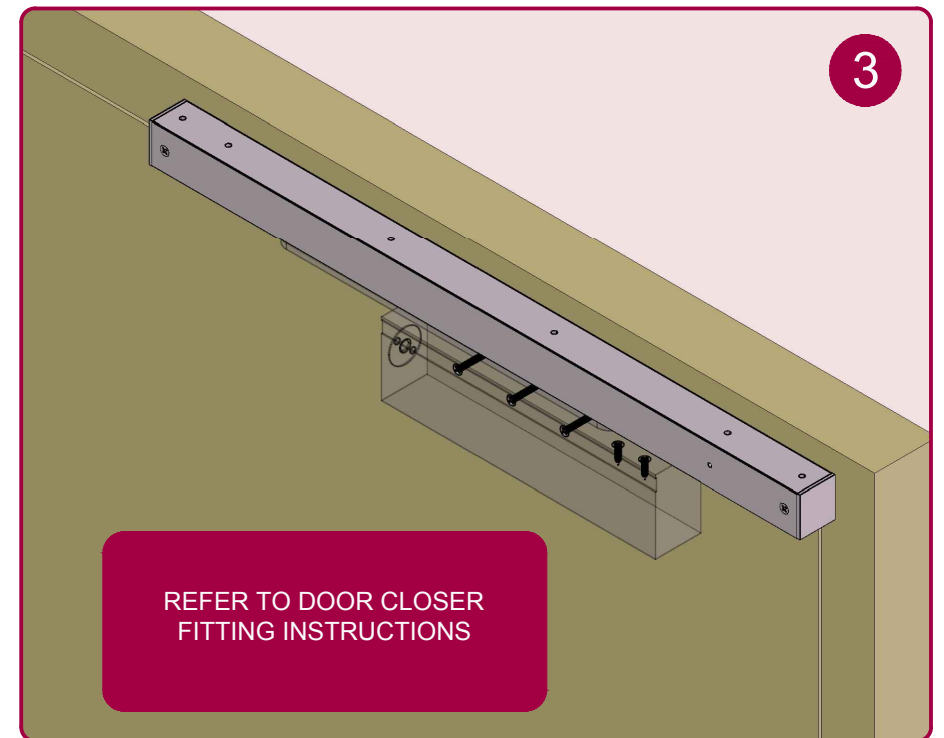
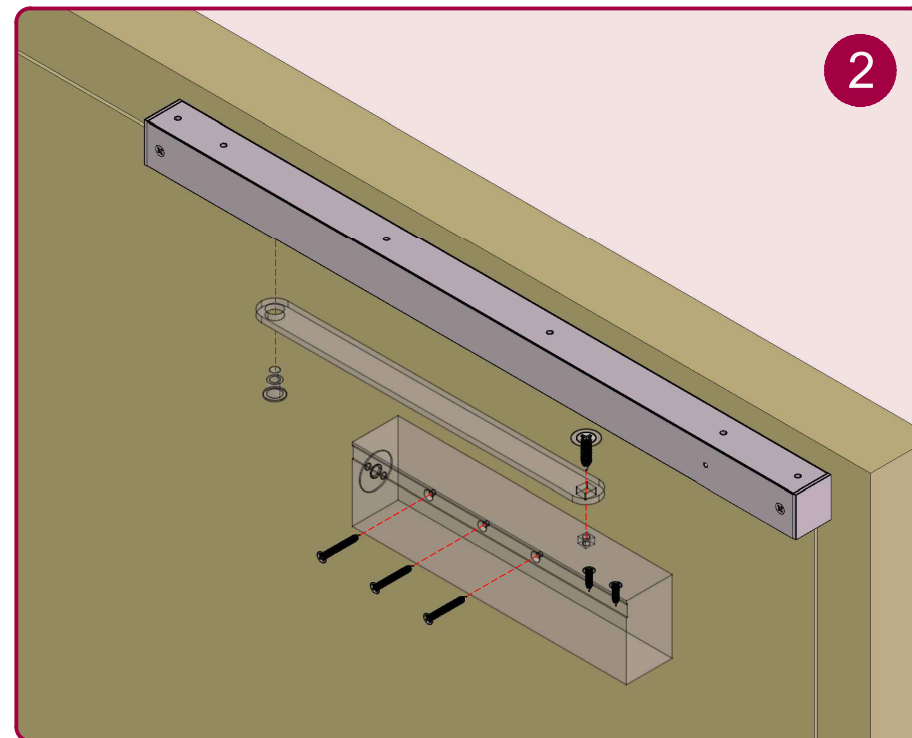
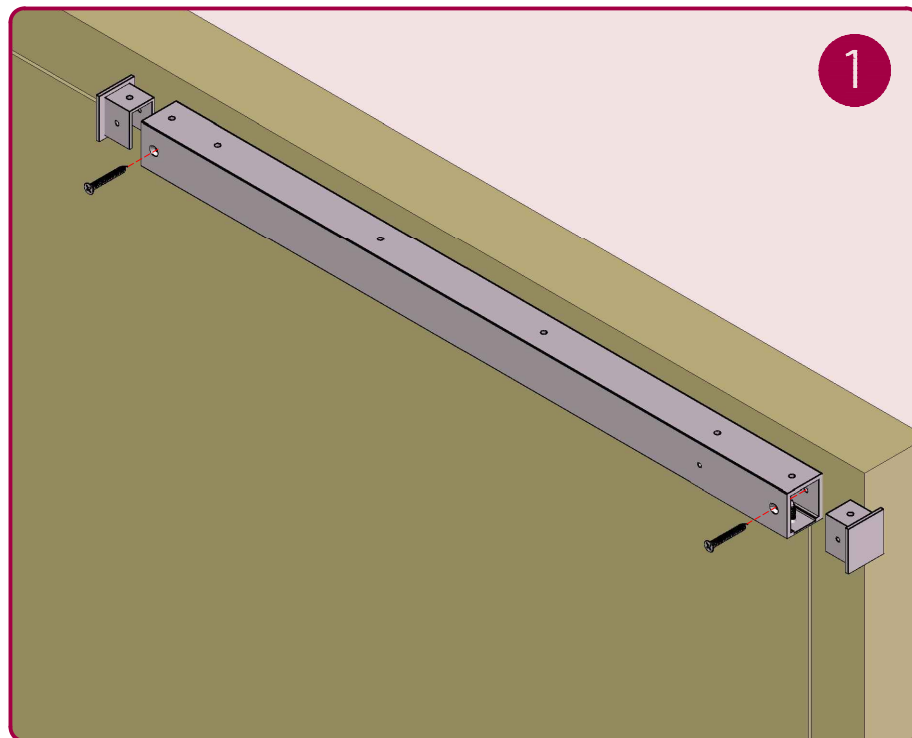
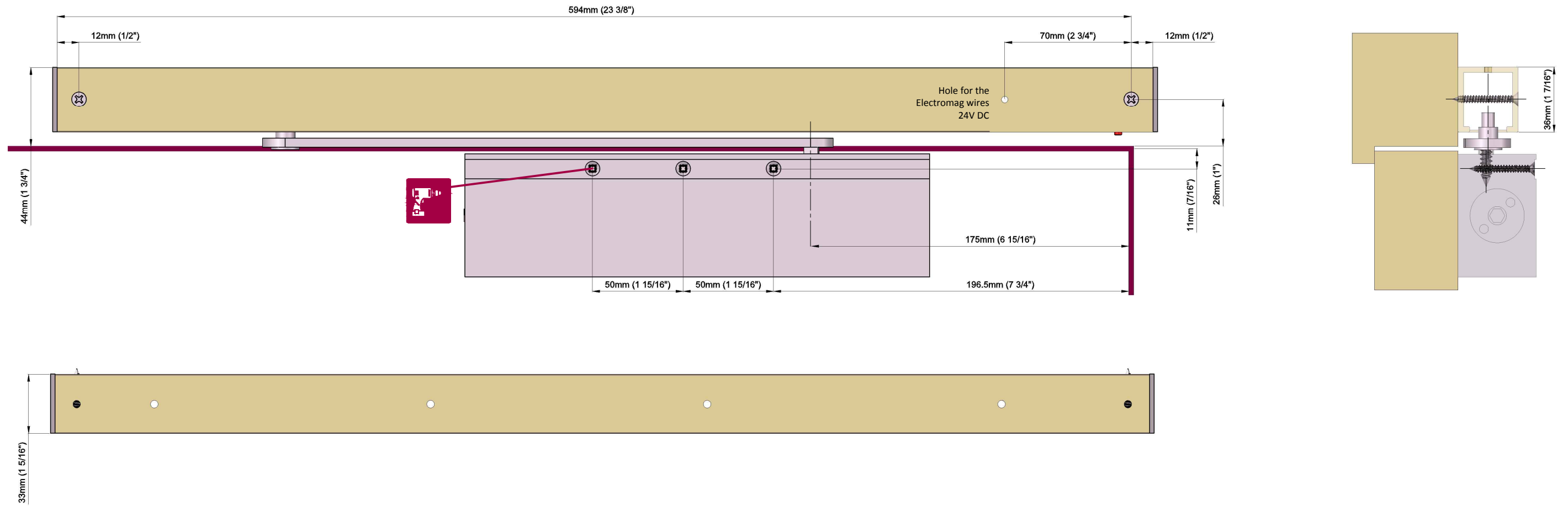
RUTLAND DOOR CONTROLS ©



# Electromagnetic Slide Arm TS FIRETRAK

200618

[www.rutlanduk.co.uk](http://www.rutlanduk.co.uk)



THE PINION BOLT MUST BE TIGHTENED TO 12NM

RUTLAND DOOR CONTROLS ©