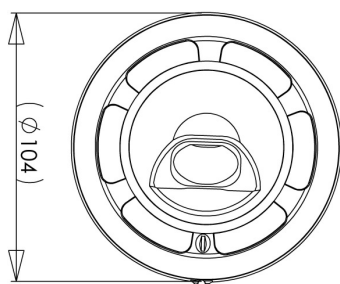
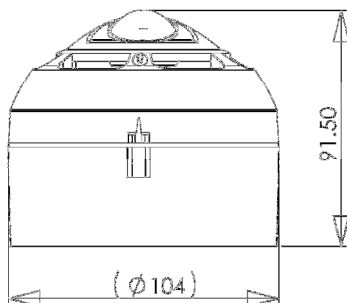


TECHNICAL DATASHEET

Part Number	-	-	-	-	-	EV-HIOP-SB-SCI	-	F16-82050
Part Number	-	-	-	-	-	EV-HIOP-SB	-	F16-82051
Description	-	-	-	-	-	Addressable High Output Sounder Beacon with(out) Isolator		
Device Type	-	-	-	-	-	Type B Outdoor Sounder Beacon with(out) Isolator		
Sounder Device	-	-	-	-	-	Rocking Armature Transducer		
Sounder Output	-	-	-	-	-	90 to 100 dB(A) @ 90%1 metre		
Sounder Tones	-	-	-	-	-	32 Tones DIP Switch select (3 Approved Tones)		
Beacon Device	-	-	-	-	-	1 x High Power LED (W 2.4-5.5 / 73m ³)		
Operating Voltage	-	-	-	-	-	24V d.c. to 38V d.c.		
System Voltage	-	-	-	-	-	35V d.c		
Quiescent Current	-	-	-	-	-	200µA		
Sounder Operating Current	-	-	-	-	-	20mA		
Operating Temperature	-	-	-	-	-	- 25 °C to + 70 °C		
Storage Temperature	-	-	-	-	-	- 25 °C to + 70 °C		
Relative Humidity	-	-	-	-	-	≤ RH95% non-condensing.		
I.P. Protection Rating	-	-	-	-	-	IP65		
Addressing Method	-	-	-	-	-	Soft addressing, Non-Volatile EEPROM.		
Material	-	-	-	-	-	ABS		
Dimensions	-	-	-	-	-	Ø104mm x 91.5 mm		
Mass	-	-	-	-	-	250g		
Minimum Sw Open Voltage (V _{so min})	-	-	-	-	-	9V d.c.		
Maximum Sw Open Voltage (V _{so max})	-	-	-	-	-	11V d.c.		
Minimum Sw Close Voltage (V _{sc min})	-	-	-	-	-	10V d.c.		
Maximum Sw Close Voltage (V _{sc max})	-	-	-	-	-	13V d.c.		
Maximum Line Current (I _{c max})	-	-	-	-	-	800mA		
Maximum Switching Current (I _{s max})	-	-	-	-	-	1500mA		
Maximum Leakage Current (I _{l max})	-	-	-	-	-	13mA		
Maximum Switch Resistance (Z _{c max})	-	-	-	-	-	150mΩ		
CE Conformity	-	-	-	-	-	EN54-3, EN54-17 & EN54-23		
CPR Number	-	-	-	-	-	0359-CPR-00465		
DoP Number	-	-	-	-	-	00465		

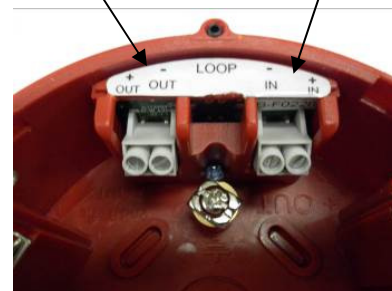
All wiring must conform to the current edition of IEE Wiring regulations and BS5839 Part 1

All loop Cable Screens shall be connected together, but must be Isolated from Ground. Cable Screens shall be connected to Earth Ground within the Control Panel ONLY.



Dimensions

Loop OUT +ve & -ve Loop IN -ve & +ve



Connections