

Syncro Focus & Syncro Focus+

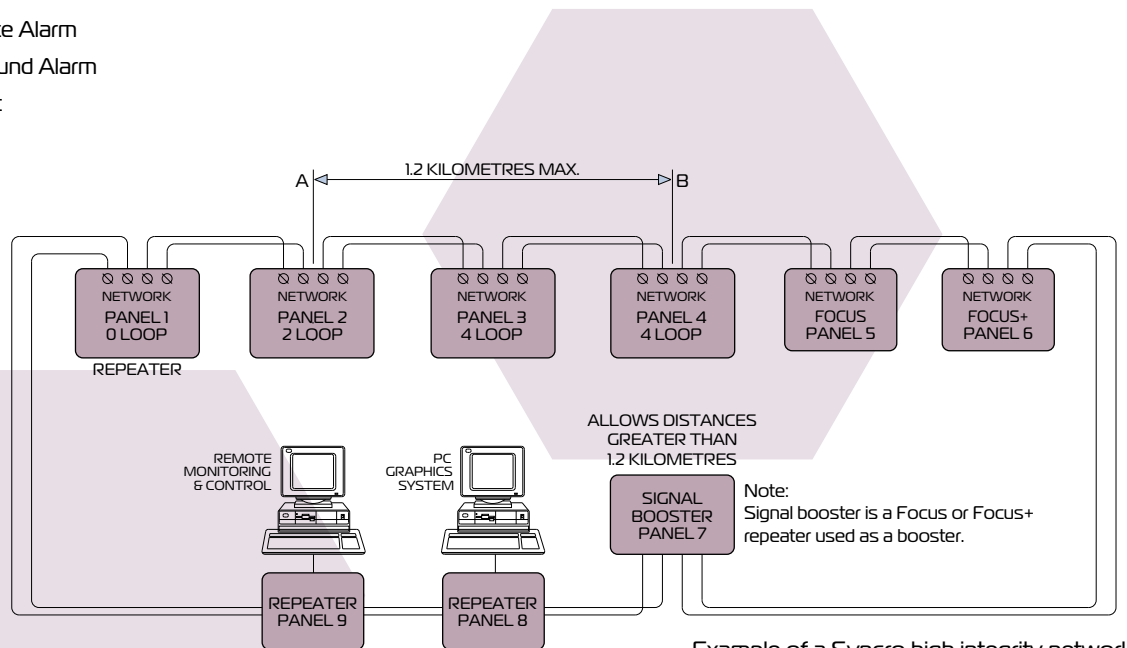
Network LCD Repeaters

Features

- Large graphic display
- Simple connection to Syncro network
- 24V DC powered (230V AC available)
- Small attractive enclosure
- Configurable to display all or any events
- Simple to install
- Volt free Alarm, Fire and Fault contacts
- Up to 63 repeaters can be connected to a panel
- Focus+ with full controls has the following extra buttons:
 - Silence Alarm
 - Resound Alarm
 - Reset

Product Overview

- This simple and attractive repeater panel can be connected to any point on a Syncro network to provide additional display points as needed.
- Using the same large format graphics display as the main control panel ensures that a clear and concise indication is given at all times.
- Ideal for additional building entrances, security desks or nurses stations this unit provides an economical alternative to a full function repeater panel. (Syncro Response) The repeater also acts as a network booster and can be used to extend cable runs beyond the specified lengths as required.



Example of a Syncro high integrity network



Focus Model No. K69000M1

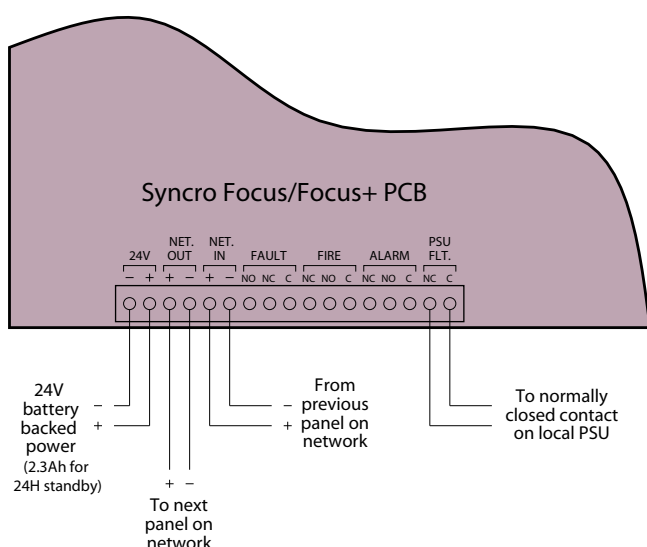
Focus+ Model No. K691000M1

Focus Units

Product Code	PSU	Weight	Build	Size (mm)
K68000M1	-	2.5kg	Surface	330 x 255 x 90
K69000M1	750mA	4.0kg	Surface	330 x 255 x 90

Focus+ Units

Product Code	PSU	Weight	Build	Size (mm)
K681000M1	-	3.5kg	Surface	330 x 255 x 90
K691000M1	750mA	4.0kg	Surface	330 x 255 x 90



Technical

Construction	- 1.2mm mild sheet steel
IP Rating	- IP30
Finish	- Epoxy powder coated
Colour - lid & box	- BS 00 A 05 grey - fine texture
Colour - controls plate & labels	- Ral 7047 light grey - satin
Display	- 8 lines of 40 characters graphic LCD
Input voltage (24V DC model)	- 21V DC - 30V DC
Input voltage (230V AC model)	- 230V AC +10%/-15%
Current consumption	- 80mA at 24V DC (in fault condition)
Alarm current	- 100mA at 24V DC
Alarm contact rating	- 30V DC 1 Amp max.
Fire contact rating	- 30V DC 1 Amp max.
Fault contact rating	- 30V DC 1 Amp max.
Display	- 240 x 64 pixel graphic LCD
Cable entry	- 20mm knockouts
Indicators	- 5mm high brightness LED
Battery Size	- 2.3Ah 12V (2 per panel)
(24 hr. standby on 230V AC model)	
Communications	- Syncro system network protocol only
Cable length	- 1200 metres to adjacent nodes (subject to cable type) (see technical manual)
Network cable type	- Belden 9271, Belden 9860, FP200 Gold
Operating temperature	- -5°C to +40°C

NOTE: An K555 network card is required in the Syncro/Syncro AS panel in order to communicate with these products. 6 - 8 loop panels have a network card fitted as standard.