

FIRE-CRYER PLUS

Extinguishing Voice Sounder Kit

Features

- ▶ Two voice enhanced sounders and controller PCB included
- ▶ Optimised for use with Kentec extinguishant releasing panels
- ▶ Retro fit replacement for electronic sounders or bells
- ▶ Four unambiguous voice messages
- ▶ Sounders with integral visual indicators
- ▶ Approved to EN54-3
- ▶ Controller PCB provides two sounder outputs
- ▶ High sound output
- ▶ Low-current consumption
- ▶ Monitored (EOL)



Product code:
KFC3-KEK

Description

Kentec's Fire-Cryer Plus voice sounder with visual indicators is an alternative to electronic sounders/bells/strobes, providing system specific voice messages to occupants.

In areas where extinguishing systems are installed, clear and concise indication of the system status is critical to ensure the area is evacuated before extinguishing gas is released.

The kit comprises two wall mount sounders with visual indicators and a control module, together providing unambiguous voice messages alerting to stages of alarm. The system requires no special wiring and can be retro fitted to existing installations.

Messages

No.	Starting tone	Visual Indicator	Voice message	Triggered by
1	Bell tone pulsed at 1 second ON, 1 second OFF.	Y	First stage extinguishant release warning. Please evacuate the area. Evacuate the area.	1st stage
2	Banshee LF fast sweep, 800Hz to 950Hz swept at 9Hz, pulsed at 1 second ON, 1 Second OFF.	Y	Extinguishant release imminent.	2nd stage
3	Banshee LF fast sweep, 800Hz to 950Hz swept at 9Hz, pulsed at 1 second ON, 1 Second OFF.	Y	Extinguishant released.	2nd stage discharge confirmation
4	No tone	Y	Extinguishant gas release on hold.	Hold circuit activation

Controller PCB specifications

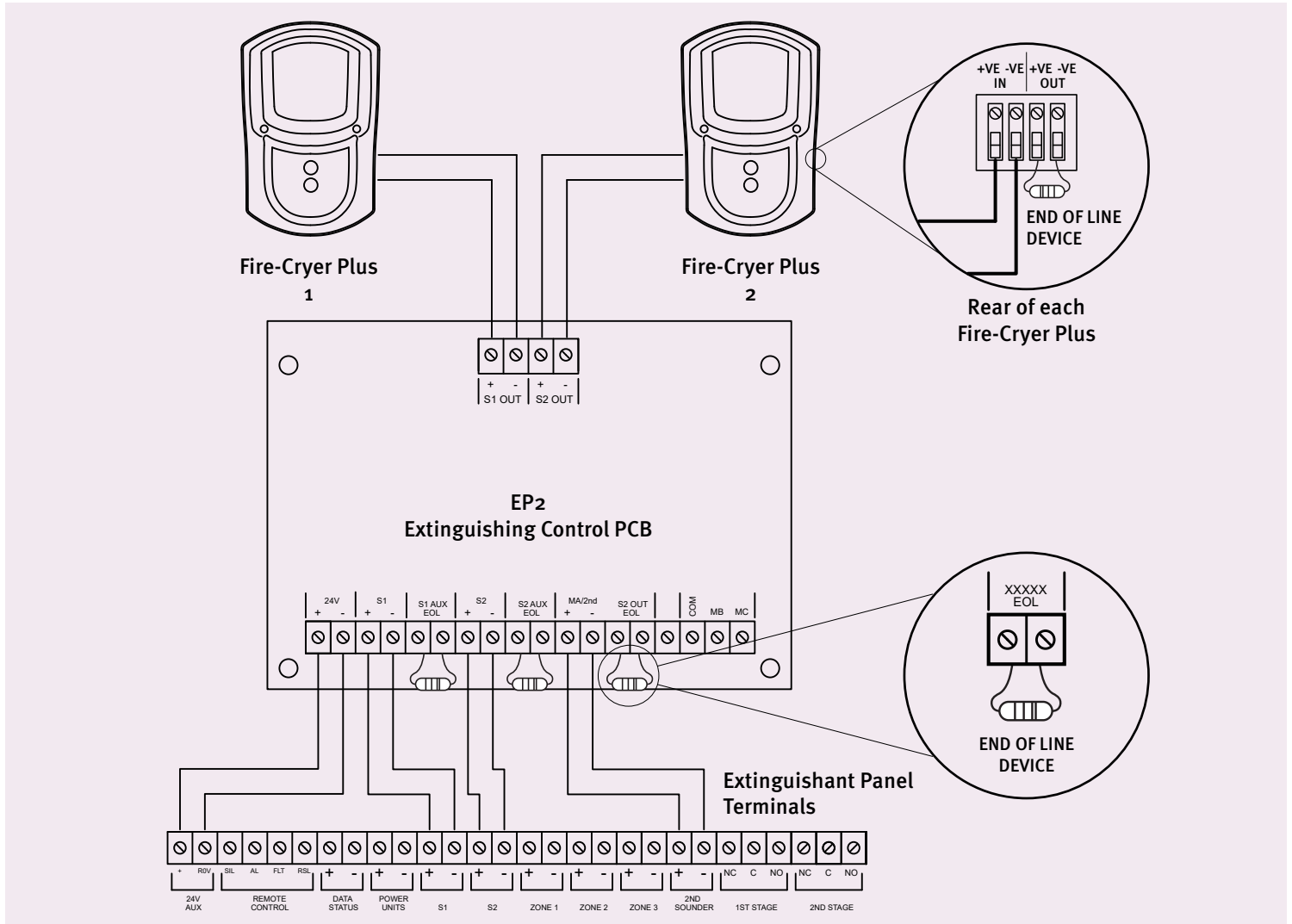
Operating voltage	20 - 28V DC
Current consumption	Quiescent: 18mA Alarm current: 60mA + sounder load
Sounder circuit load	Max 1A per circuit @ 24V DC

Voice Sounder with Visual Indicator specification

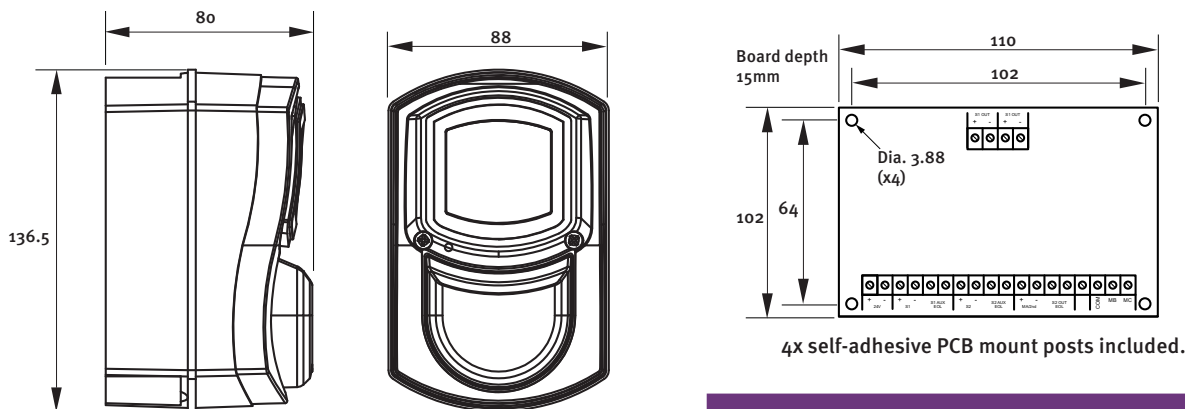
Operating voltage	20 - 28V DC
Alarm current @24V DC	Sounder with normal output and visual indicator – 33mA max. Sounder with high output and visual indicator – 60mA max.
Strobe output	Normal 2Cd, High 6Cd
Sounder output	Voice 95db(A)*, Tone 100db(A)
IP rating	Deep base IP66
Cable entries	20mm knock-outs: 2x top, 1x bottom, 1x rear
Housing material	Red ABS
Temperature range	-25 to +70 °C

* Tone output may vary due to the nature of human speech

Installation Example Diagram (Not to Scale)



Dimensions (mm) (Not to Scale)



Part codes

KFC3-KEK	Fire-Cryer Plus Extinguishing Voice Sounder Kit 1 x EP2 Extinguishing Control PCB, 2x Fire-Cryer Plus sounders with visual indicators
KFC3-ARRD	Fire-Cryer Plus Extinguishing Voice Sounder Red with red visual indicator, deep base, IP66
KFC3-EP2	Replacement EP2 Extinguishing Control PCB