

FAAST LT-200 (Standalone)

Fire Alarm Aspirating Sensing Technology®

The FAAST LT-200 Aspirating Smoke Detector is designed with the installer and end user in mind. It serves the wide variety of Class C applications where maintenance is difficult, where traditional smoke detection methods are inappropriate or prone to fail due to harsh environments or areas where aesthetics matter. It is also suitable for smaller mission critical applications where very early warning - Class A or B detection is required.

FAAST LT-200 combines proven aspirating detection technologies to deliver reliable smoke detection and efficient installation and maintenance. The device comprises innovative and intelligent internal design features designed to protect vulnerable components. These include a high sensitivity LED detection chamber (featuring a high power output IR LED and high gain IR receiver amplifier), along with ultrasonic flow sensors.

The device is fast to install and easy to commission thanks to Pipe-IQ pipe design and configuration software, which is included with the product as standard.

FAAST LT-200 stand alone devices are available as single channel and dual channel devices, offering flexibility for different detection strategies. A range of customisable settings are geared towards maximising device performance and meeting different application needs.

The device also includes pre-alarm functionality for graduated alarm thresholds.

The FAAST LT-200 provides alarm and fault relays with auxiliary events relay as an option. These can be set as latched or non-latched. To accommodate local installation standards or environments, flow and general fault delays can also be set.



FEATURES

- High sensitivity LED Detection Chamber specially designed to cover Class C. Includes a high power output IR LED and high gain IR receiver amplifier
- Single & Dual channel versions with independent channels including fan, sensor and flow monitoring
- Provides pre-alarm functionality for graduated alarm thresholds
- Ultrasonic airflow sensing with expanded monitoring range
- A single device covers up to 2,000m² according to national design regulations
- Pipe-IQ™ software provides intuitive system layout and configuration all in one package
- Whisper-quiet 26db(A) fan; ideal for discrete detection monitoring
- Multiple event logging up to 2244 events
- User friendly air flow pendulum graph for verification of pipe network functionality
- Easily replaceable and reusable filter without affecting the rest of the device
- Protected electronics from air flow and accidental damage during installation or maintenance
- Designed for efficient wiring and installation: cable gland holes, easy access to the wiring area and no special tools required
- Easy access to parts requiring routine maintenance: filter(s) and sensor(s)
- IP65 enclosure

FAAST LT-200 (Standalone) ARCHITECT / ENGINEERING SPECIFICATION

PHYSICAL SPECIFICATION	
HEIGHT	403mm (inc. inlets and outlets)
WIDTH	356mm
DEPTH	135mm
CABLE ACCESS	3 x M20 gland holes pre-drilled on top and bottom of the FAAST LT-200 unit
WIRE GAUGE	Min. 0.5mm ² – max. 2.0mm ²
MAX. SINGLE PIPE LENGTH	100m
MAX. TOTAL BRANCHED PIPE LENGTH	160m (per channel)
MAXIMUM AIR INLET HOLES	18 (per channel)
OUTSIDE PIPE DIAMETER	25mm or 27mm
INTERNAL PIPE DIAMETER	15-21mm
SENSITIVITY RANGE	0.07 - 0.66% obs/m (Alarm level 1-5)
RELAYS	3 (1 Alarm, 1 Fault, 1 Pre-Alarm) x per channel
SOUNDER OUTPUTS	1 per channel
SOUND PERFORMANCE	As low as 26db(A)
EVENT LOG	2,244 events
INTERFACES	Terminal blocks: power supply, relays, sounder outputs, external input; Loop Connection, USB port; Buttons (Test, Reset, Disable)
POWER SUPPLY & RELAYS CONNECTIONS	Max. 2mm ²
USB	Standard USB cable for Type B USB connection
SHIPPING WEIGHT - INC. PACKAGING MATERIAL	6.5kg (dual channel)
FLOW MONITORING & REPORTING	High and low according to EN54-20
FILTRATION	Replacement filter

User Interface Display

The front panel will be different depending on which of the 3 loop models is being installed.

The following display information is possible:

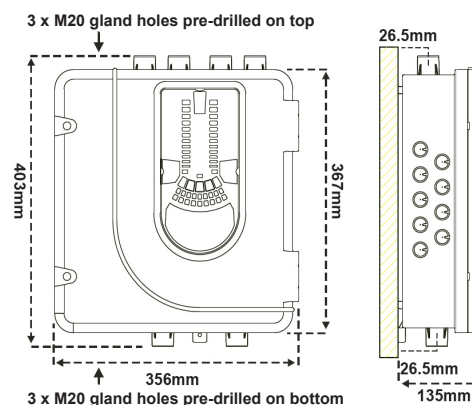
- Alarm level; Alarm, Pre-Alarm
- Particulate Levels: 1-5
- Fault Status
- Flow Level
- Test, Reset and Disable Buttons



ELECTRICAL SPECIFICATIONS	
SMOKE SENSORS	High sensitivity LED Detection Chamber
EXTERNAL SUPPLY VOLTAGE	18.5-31.5 V
REMOTE RESET TIME	2s
POWER RESET	0.5s
OPERATING CURRENT 1 CHANNEL DEVICE	170mA @ 24 VDC (excluding sounders)
2 CHANNEL DEVICE	270mA @ 24 VDC (excluding sounders)
MAX. ALARM CURRENT 1 CHANNEL DEVICE	360mA @ 24 VDC (excluding sounders)
2 CHANNEL DEVICE	570mA @ 24 VDC (excluding sounders)
RELAY CONTACT RATINGS	2.0 A @ 30 VDC, 0.5A @ 30 VAC
ENVIRONMENTAL SPECIFICATIONS	
OPERATING TEMPERATURE	-10°C to 55°C
HUMIDITY RANGE	10% to 93% (non condensing)
IP RANGE	65
COVERAGE AREA	Up to 2,000m ³ according to national design regulations

ORDERING INFORMATION	
PART NUMBER	DESCRIPTION
FL0122E-HS-EB	Standalone Dual Channel Detector
FL0112E-HS-EB	Standalone Single Channel Dual Detector
FL0111E-HS-EB	Standalone Single Channel Detector
ACCESSORIES	
F-LT-EB	Earth Bar
FL-IF-6	FAAST LT-200 Integral Filter (6 filters)
Pipe and Fittings	Please see Aspirating Accessories Brochure
F-SEN-SSE	Replacement detector head
FLT-AB-SA1	FAAST LT SA 1-Ch Accessories Box
FLT-AB-SA2	FAAST LT SA 2-Ch Accessories Box
F-INF-25	External Pipe Filter
F-INF-25-RF	External Filter replacement filter pack

LISTINGS & APPROVALS	
LPCB	
EN54-20: (holes per channel)	Class A - 3 holes
	Class B - 6 holes
	Class C - 18 holes



Honeywell

140 Waterside Road
Hamilton Industrial Park
Leicester

LE5 1TN

Tel: +44 (0) 203 409 1779

Email: hlsuksalesupport@honeywell.com

All technical data is correct at the time of publication and is subject to changes without notice. All trademarks acknowledged.

Installation information: In order to ensure full functionality,

refer to the installation instructions as supplied.

DSFL-HS-UK-18 | HON

© 2018 Honeywell International Inc.

Honeywell