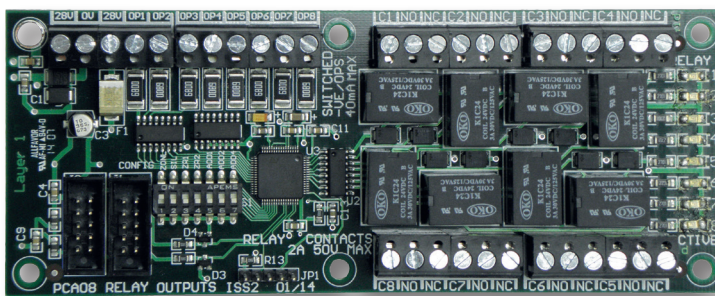


PERIPHERALS

8 WAY OUTPUT CARD



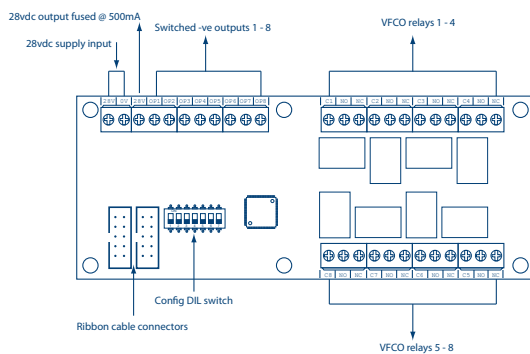
Technical Specifications

Supply Input	Max input current 5A. Input voltage 22 - 32vdc
Supply Output	28v, fused @ 500mA, resettable fuse
OP1 - OP8	Switched -ve outputs, overload voltage protected to 52vdc. Max load = 40mA per output
Relay Contacts 1 - 8	Clean changeover contacts, un-fused. Max 3A @ 30vdc

Order Code

OPCARD-8	8 Way Output Card
----------	-------------------

Card Details



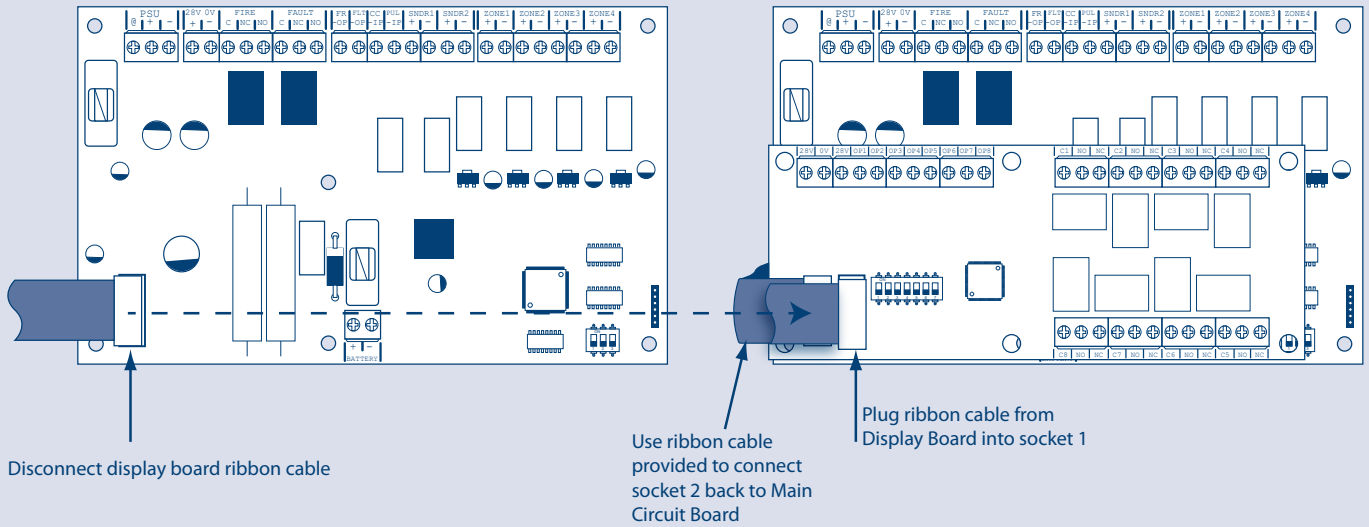
- Provides up to 16 common or zonal outputs
- 8 x volt free changeover relay outputs plus 8 x switch -ve outputs
- Suitable for both Excel-EN & Excel-32 conventional control panels
- Card fits inside control panel
- Fit up to four cards inside Excel-32
- Program outputs to cancel on **RESET** or **SILENCE ALARMS**

+44 (0) 1895 424505

Installation Instructions

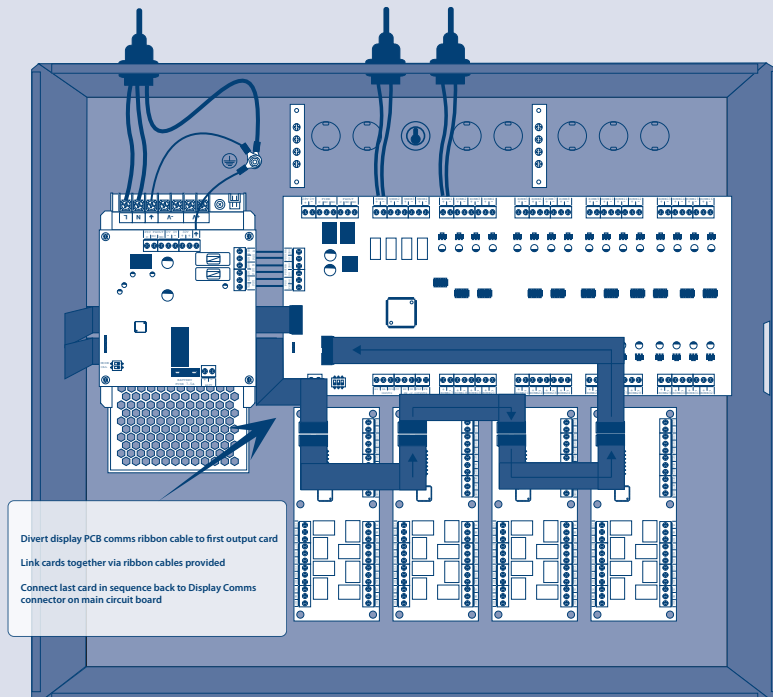
INSTALLATION 2-12 ZONE

The OPCARD-8 has been designed to fit easily into the control panel by piggy backing on top of the main circuit board.



INSTALLATION 16-32 ZONE

The OPCARD-8 has been designed to fit easily into the control panel by clipping into pre-drilled holes using nylon mounting pillars provided. Up to four output cards can be fitted and linked together via a ribbon cable (provided).



Unit 3, Horton Industrial Park, West Drayton,
UB7 8JD, United Kingdom

Tel: +44 (0) 1895 422066
Direct Sales Line: +44 (0) 1895 424505

Email: enquiries@haes-systems.co.uk
Web: www.haes-systems.com