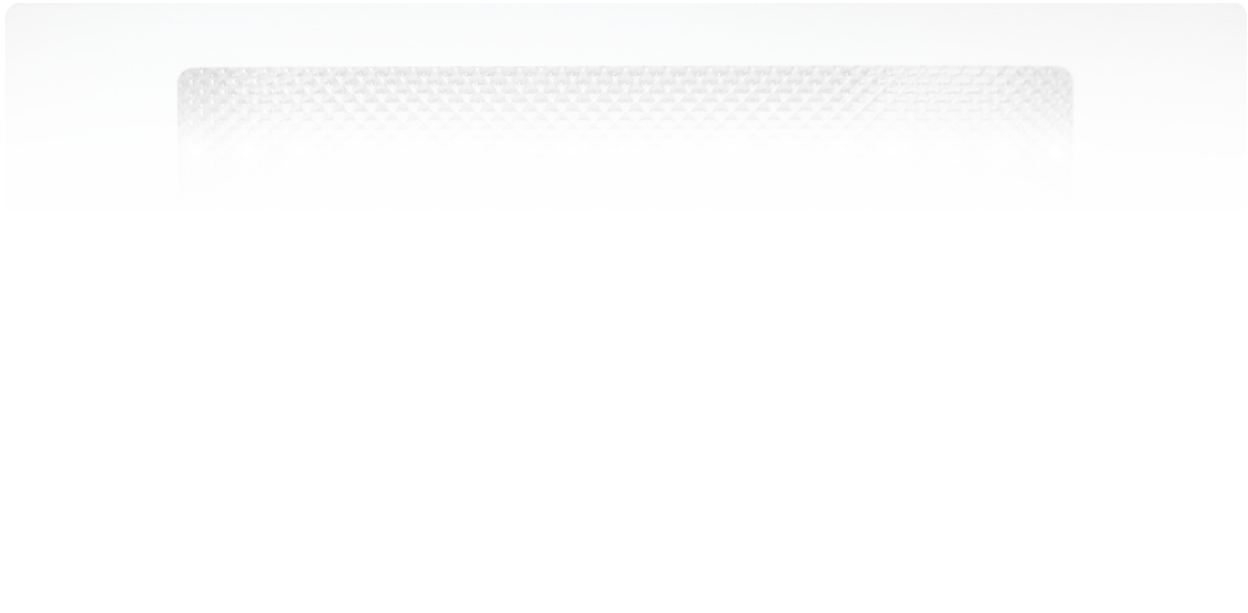
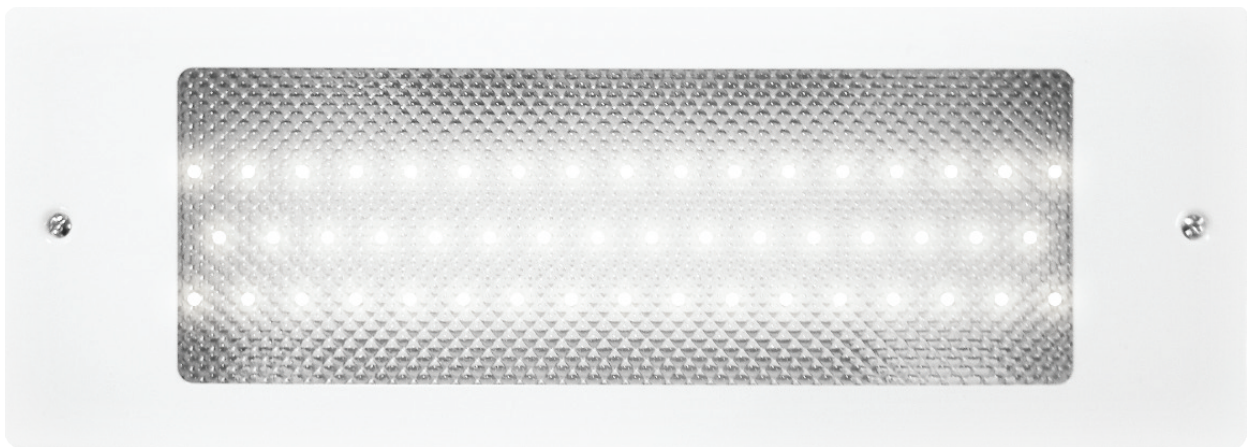


flushlight LED



The new LED emergency luminaire from
Channel Safety Systems



LED Emergency Luminaire

flushlight
LED

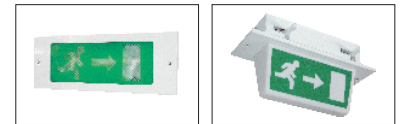
This discreet LED emergency luminaire utilises the latest LED technology for low-cost, low maintenance, high power, emergency illumination.

Features

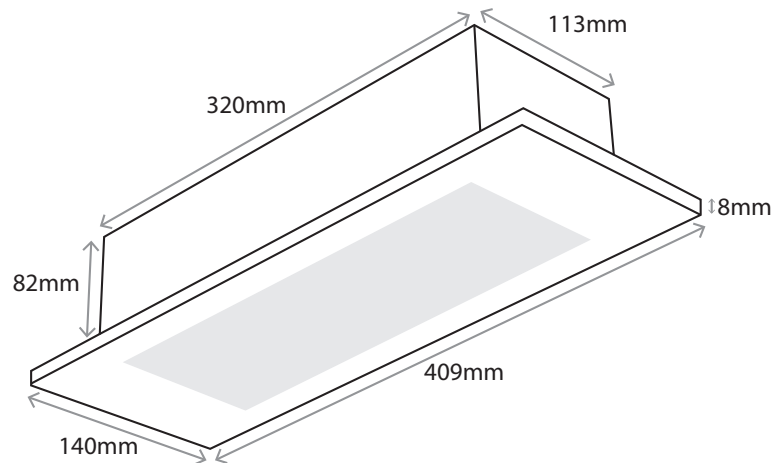
- 8W fluorescent equivalent (only 25% power requirement)
- 48,000 hour life expectancy
- Maintained or non-maintained operation
- Ceiling or wall mounted
- Cable entry: top, front, back & side
- Hinged gear tray
- Unobtrusive design
- Prismatic, polycarbonate diffuser
- Easy to install
- NiCd battery
- Brass, chrome & satin stainless steel and bezel options
- Low running costs
- Low maintenance



legend options available



STOCK CODE	DESCRIPTION
E/FL/M3/LED	Flushlight LED maintained luminaire
E/FL/M3/LED/ST	Self-test variation



SPECIFICATIONS	
Light Source	50x LED (total circuit 4W)
IP Rating	IP20
Emergency Duration	3 hours (minimum)
Mains Voltage	230V +-10% 50Hz/60Hz
Mains Current (max)	70mA (max) 55mA quiescent (4W)
Recharge Period	Less than 24 hours
Charge Indicator	Integral green LED
Changeover Voltage	As per the requirements of BS EN 60598-2-22
Temperature Range	5°C to 40°C
Weights	1.55kg
Dimensions (mm)	as above diagram
Accessories	Flat or drop down legend
Battery	3.6V 1500mAh Nickel Cadmium

PHOTOMETRIC SPACING DATA - 1 lux				
Mounting height	↔	↔	↔	↔
2.5m	2.8	5.7	5.7	2.8
4m	3.4	7.3	7.3	3.4

www.channelsafety.co.uk

Tel. 0845 884 7000

Email. sales@channelsafety.co.uk