

**TWINFLEX
MULTIPOINT**

Specifiers and installers who choose the Multipoint detector do so secure in the knowledge that the fire detection performance of the detector can be matched to the environment in which it is installed – and changed at any time during the lifetime of the installation. The mode of detection required can be simply set by configuring the DILL switch in the detector electronics module. All modes are compliant with European detector type specifications, and are suitable for use in installations compliant with BS5839: Part 1: 2002.

MODES OF DETECTION

SMOKE 1

Highly thermally enhanced optical
Used where ionisation detectors are normally fitted, especially when there are high ceilings or a risk of free burning fires

SMOKE 2

Thermally enhanced optical
Used where optical detectors are normally fitted, when there is a risk of a smouldering fire and for escape routes.

SMOKE 3

Thermally enhanced optical with pulse rejection
Used where optical detectors are normally used in positions exposed to brief concentrations of water vapour or smoke e.g. from a bathroom, kettle etc.

HEAT 1

Rate of rise to 58°C
Used where a standard rate of rise detector would normally be used

HEAT 2

Low fixed temperature 58°C
Used where a standard fixed temperature heat detector would normally be fitted, suitable for kitchens etc

HEAT 3

High fixed temperature 90°C
Used where a high fixed temperature heat detector would normally be fitted, suitable for boiler rooms, commercial kitchens, etc.

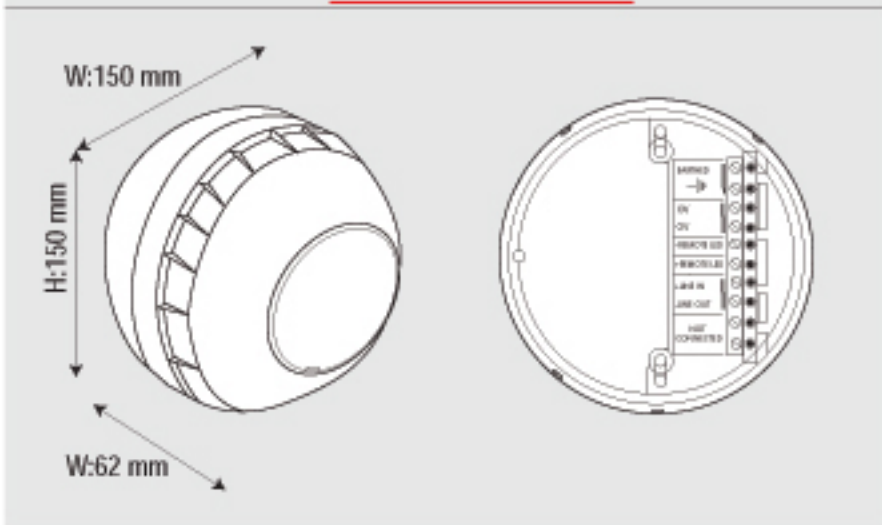
SMOKE 2/HEAT 2

A combination mode of SMOKE 2 & HEAT 2 will trigger with either a smoke or heat source.



Technical specifications

Compatibility:	Twinflex 2-wire	
Operating Temperature:	-10°C to 50°C	
Voltage Range:	18 to 35v DC	
Operating Current:	Quiescent:	65mA
	Alarm:	39mA
	Sound high:	16mA
Loading:	Sound low:	8mA
	MP:	0SLU (max 32 SLUs per zone)
Sound Outputs:	Sounder:	1SLU
	Low:	75dB(A)
LED Operation:	High:	90dB(A)
	Quiescent:	20s interval
	EOL:	5s interval
	Fault:	1.3s interval
Part Code:	Alarm:	Constant
	No sounder:	202 0003
	With sounder:	<u>202 0001</u>



If the Multipoint with integral sounder is required, then it too can be set to a choice of 7 different sound patterns and the volume can be set to either:

High (90 dBA)

Low (75 dBA)