

INSTALLATION AND MAINTENANCE INSTRUCTIONS



TwinflexPro² conventional Expansion Card 505-0007



<http://www.fike.co.uk/resource-downloads/twinflex/>

General Description

The TwinflexPro² Conventional Expansion card will provide 4 conventional zones. Therefore a TwinflexPro² panel fitted with a Conventional Expansion card would have zones 1 to 4 as Twinflex zones and zones 5 to 8 as conventional zones. The card is only compatible with the 4-zone TwinflexPro² panel. It is not compatible with the 2-zone TwinflexPro² panel or with any earlier TwinflexPro or TWINFLEX[®] Checkpoint Plus panels.

Note: conventional zones cannot distinguish between smoke or MCP fire signals.

Installation

The panel must be completely powered down before this card is fitted.

1. Remove the right hand cover moulding from the unit by unscrewing the two fixing screws.
2. Next disconnect the battery by removing one of the push on battery leads at the battery. Always disconnect the battery first before removing the mains power to the panel.

NOTE: Do not disconnect the battery by removing the wires from the terminals on the CIE circuit board. Doing this may allow the batteries to short circuit.

3. Remove mains power from the panel by removing the fuse in the fused spur that supplies the panel or switching off the circuit breaker. At this stage there should be no LEDs lit on the panel and the display should be blank.
4. Disconnect all cabling from the CIE terminals. Make sure these cables are suitably labelled to facilitate correct re-connection after fitting the Expansion Card.
5. Unscrew the four fixing screws that secure the left hand CIE assembly (Fig 1), then flip the assembly over clockwise (Fig 2).

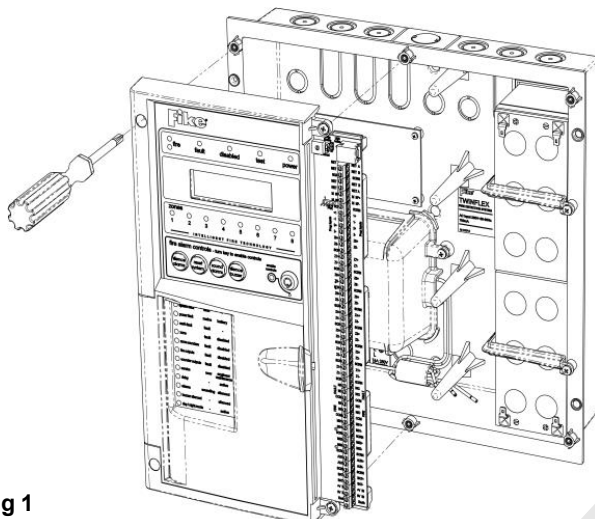


Fig 1

6. Secure the expansion card PCB to the unit's base using the 4 off M3 x 6 screws supplied (Fig 3). Please note the orientation of the expansion card PCB.
7. Plug one end of the ribbon cable assembly into the expansion card PCB (this will only fit one way).
8. Flip the left hand CIE assembly back over clockwise (reverse fig 2) and plug the other end of the ribbon cable assembly into the connector marked (expansion connector) on the CIE PCB (again this will only fit one way).
9. Secure the CIE assembly onto the base molding (Fig 1) (ensure that all cables ends are accessible for termination) and secure into position.

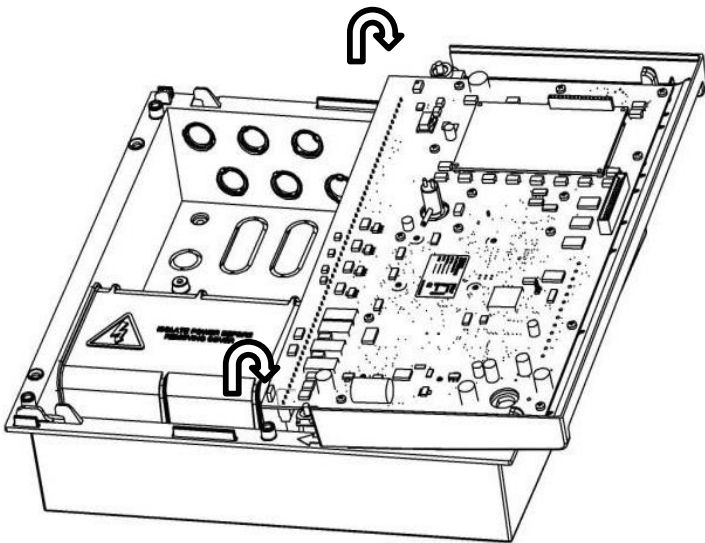


Fig 2

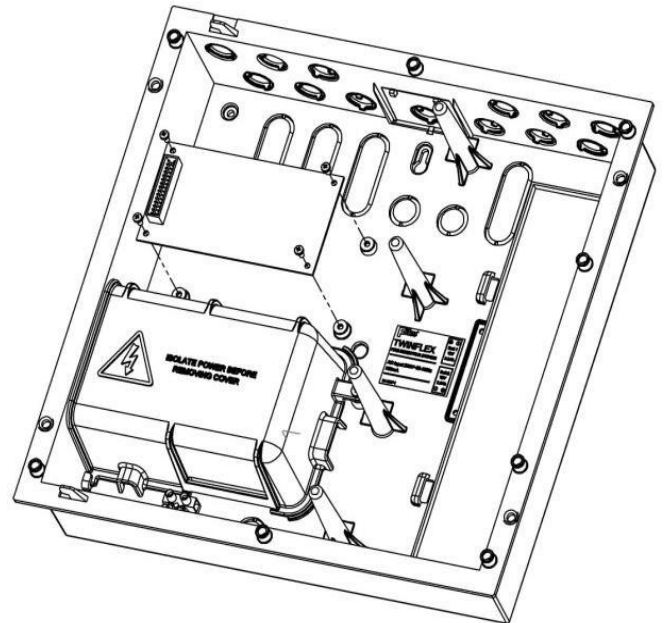
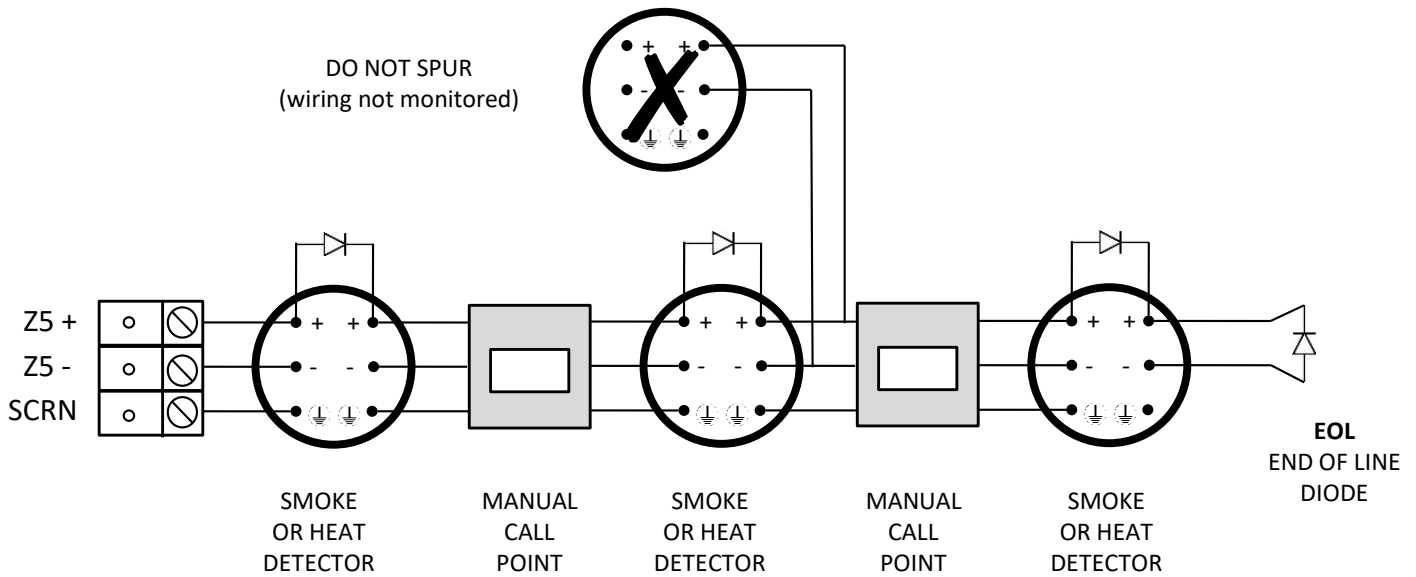


Fig 3

10. Re-connect all existing cables to the appropriate terminals.
11. If the new additional zones are to be used straight away, connect the additional field wiring zone cables to the relevant terminals on the TwinflexPro² panel CIE (they do not connect directly to the Expansion Card).
12. Re-connect the mains power to the panel (before connecting the battery) by refitting the fuse in the fused spur that supplies the panel or switching on the circuit breaker.
13. Now re-connect the battery.
14. Refit the right hand cover (ensure the cover engages properly into the CIE assembly moulding) and secure into position.

Conventional Device Zones: Z5 - Z8:



Detector bases with integral continuity diodes must be used to ensure manual call points remain operational when a detector head is removed from its base.

Manual call points with integral resistors must be used to prevent a short circuit fault occurring instead of a fire condition when activated.

An EOL diode provided with the expansion card must be connected across the terminals of the last device on each circuit to allow the wiring to be monitored.

The wiring for each detector circuit should be connected to the relevant connector block on the Main Control PCB and their screens terminated at the panel

For more specific device wiring information, please refer to the manufacturers' own instructions.

If a conventional zone is **NOT** used it **MUST** be switched off using the zone status menu in the engineers programming options or an EOL diode provided with the expansion card must be connected across the connector block on the Main Control PCB as shown below



MAXIMUM NUMBER OF CONVENTIONAL DEVICES PER ZONE MUST NOT EXCEED 20 DEVICES. CONVENTIONAL ZONES ARE Z5 to Z8 ONLY

Known to be compatible with

Apollo 55000-317 Series 65 optical smoke detector
 Hochiki SLR-E3N Conventional Photoelectric Smoke Detector
 Nittan EVC-P Photoelectrical Optical Smoke Detector
 System Sensor 2020P Conventional Optical Smoke



Setup

1. Power up the panel.
2. The panel will automatically see the expansion card when it powers up and the additional zones 5 to 8 will be active (switched on). If there are no devices connected to new zones 5 to 8 then four EOL faults will be generated.
3. It will be necessary to switch off any unused zones to prevent EOL faults. For example if only six zones are going to be used the two un-used zones will need to be switched off otherwise the panel will always be in fault.
4. Switching off un-used zones is done as follows:
 - (a) Log in to engineer level and selecting “zones” (option 6) in the main menu.
 - (b) Set the write enable switch to on.
 - (c) While still within the zones menu, select “zone status” (option 1)
 - (d) You will then have to enter the zone number to be switched off and then press enter.
 - (e) You will now be able to toggle the on/off status of the selected zone.

Repeat steps (c) to (e) above for the next zone.

- (f) Remember to set the write enable switch back to off when finished.

Technical Data

For specifications of the TwinflexPro² Panel when upgraded to 8 Zones, please see the TwinflexPro² Engineering & Commissioning Manual.

Technical Support

Contact your supplier for technical support on this product.

Due to the complexity and inherent importance of a life risk type system, training on this equipment is essential, and commissioning should only be carried out by competent persons. Fike cannot guarantee the operation of any equipment unless all documented instructions are complied with, without variation. This unit complies with the EMC directive.

Fike's policy is one of continual improvement and the right to change a specification at any time without notice is reserved. Whilst every care has been taken to ensure that the contents of this document are correct at time of publication, Fike shall be under no liability whatsoever in respect of such contents. E&OE.

TWINFLEX, Fike and Fike Corporation are registered trademarks of Fike Corporation and its subsidiaries. All other trademarks, trade names or company names referenced herein are the property of their respective owners.