

Scantronic wired and radio dual tech detection

An internal detector with dual technology detection utilising a combination of PIR and microwave sensors, for use in domestic and commercial installations.



These grade 2 detectors use a combination of PIR and microwave detection technology to provide greater tolerances to changing environmental conditions. Available in both wired and radio variants, these detectors link seamlessly into the Eaton security system in terms of function, style and reliability. Pet tolerant variants are also available in wired and radio form. The use of standard AA batteries for the radio variant reduces service complexity while maintaining typical battery life of two years.

At a glance...

- Combined passive infra-red and microwave detector
- Selectable FSL resistance values (wired)
- Adjustable microwave detection range
- Walk test input to enable LEDs (wired)
- Radio and wired options offering flexibility during installations
- Compatible with relevant Scantronic and Menvier ranges
- Radio variant typically gives 2 years battery life from 3 x standard AA batteries

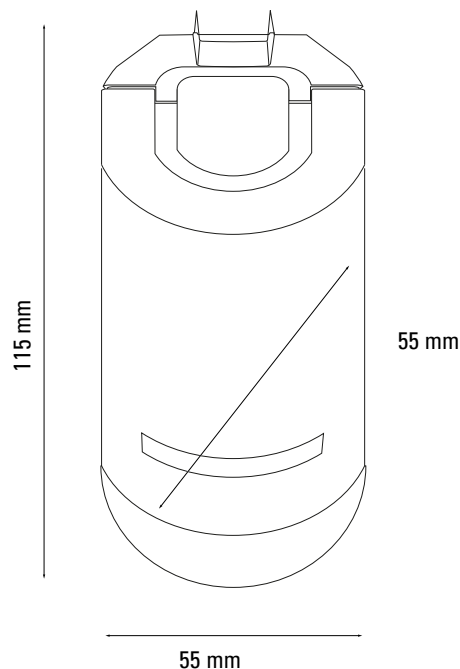


Powering Business Worldwide

Scantronic product data sheet

Product specification

Feature	Radio	Wired
Product Code	DET-RDT-G2 Radio Dual Tech	DET-WDT-G2 Wired Dual Tech
	DET-RDTPT-G2 Radio Dual Tech Pet tolerant	DET-WDTPT-G2 Wired Dual Tech Pet tolerant
	DET-RDT1 Radio Dual tech for France, Cyprus, Switzerland, Portugal, Czech Republic	DET-WDT1 Wired Dual tech for France, Cyprus, Switzerland, Portugal, Czech Republic
	DET-RDT2 Radio Dual tech for Benelux, Greece, Portugal, Malta	DET-WDT2 Wired Dual tech for Benelux, Greece, Portugal, Malta
	DET-RDT3 Radio Dual tech for Austria	DET-WDT3 Wired Dual tech for Austria
Weight	0.190Kg	0.120Kg
Material	Plastic	Plastic
Battery	3 x AA Alkaline	n/a
Typical battery life	24 months	n/a
Environmental class	Class II	Class II
Security grade	Grade 2	Grade 2
Operating Frequency	868.6625 MHz	868.6625 MHz
Tamper	Front & Rear	Front & Rear
Compliance	Certified to EN50131-2-4 PD6662:2017	Certified to EN50131-2-4 PD6662:2017
Humidity	up to 93%	up to 93%
Operating temperature	-10°C to +55°C	-10°C to +55°C
Dimensions	(WxHxD) 55 x 115 x 55 mm	(WxHxD) 55 x 115 x 55 mm
Pet tolerance	25kg (PT version, or selectable by jumper on version DET-RDT1, DET-RDT2, DET-RDT3)	25kg (PT version, or selectable by jumper on version DET-RDT1, DET-RDT2, DET-RDT3)



Compare product compatibility with our easy to read chart: www.eaton.com/security-works-with

Eaton
Electrical Sector
EMEA Route de la Longeraie 7
1110 Morges, Switzerland

Eaton Electrical Products Ltd
Security House,
Vantage Point Business Village,
Mitcheldean, Gloucestershire
GL17 0SX

Tel: +44 (0)1594 545 400
Email: securitysales@eaton.com
Web: www.myscantronic.com

Eaton is a registered trademark of Eaton Corporation.

All other trademarks are property of their respective owners.