

CHANNEL

SAFETY SYSTEMS

Grove



LED Twin Spot
from Channel Safety Systems



LED Emergency Twin Spot

The Grove LED twin spot utilises 120 LED's with a running wattage of 12W per fitting.

Features

- Long life LED technology
- High directional light output (370 lm total) with adjustable heads
- Supplied complete with lamps and battery 3 hour standby operation
- Can be mounted in any orientation
- 'Lamps healthy' & 'Charge' indicator
- Robust yet light weight construction, only 3kg makes for easy installation
- Suitable for incorporation in an emergency lighting system complying with BS5266-1:2005
- Made to special order in triple or four headed units
- Meets BS EN 60598-2-22 and other relevant standards

Features in the Grove Standard

- Ingress protection to IP20
- Steel body, polycarbonate lamps and lenses

Features in the Grove IP65

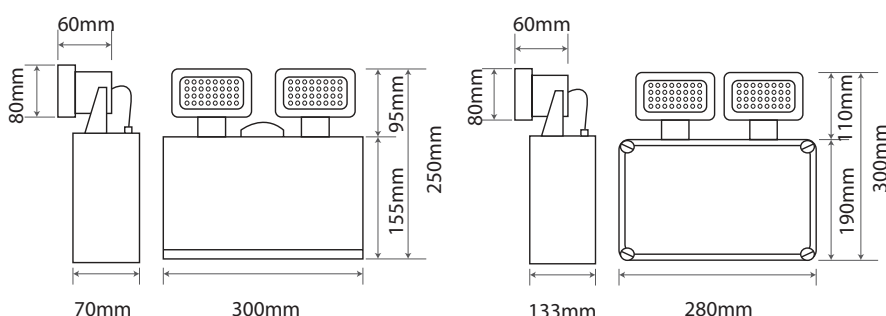
- Ingress protection to IP65
- Polycarbonate body, lamps and lenses



Standard Grove Twin Spot



Grove IP65 Twin Spot



PRODUCT CODE	DESCRIPTION
E/GR/NM3/LED	Grove Twin 60 x LED floodlight, 3 hour non-maintained white lamps
E/GR/NM3/LED/IP65	Grove Twin 60 x LED floodlight 3 hour non-maintained white lamps
E/GR/NM3/LED/3	Grove Triple 60 x LED floodlight 3 hour non-maintained with white lamps
E/GR/NM3/LED/4	Grove Four 60 x LED floodlight 3 hour non-maintained with white lamps

PHOTOMETRIC SPACING DATA (1 lux)

Mounting height	PHOTOMETRIC SPACING DATA (1 lux)	
	Back - Side	Front
2.5m	3.5m - 3.9m	6.5m - 10.0m
4m	4.0 - 4.5m	7.0m - 12.5m
6m	4.5m - 5.0m	7.5m - 13.5m
8m	5.0m - 5.5m	8.5m - 15.0m

SPECIFICATIONS

Light Source	120x LED total 370 lumens
IP Rating	IP20 & IP65 options
Emergency Duration	3 hours (minimum)
Mains Voltage	230V 50Hz ±10%
Mains Current (max)	55mA (max) 12W
Mounting	In any orientation
Recharge Period	Less than 24 hours
Charge Indicator	Integral green LED
Changeover Voltage	As per the requirements of BS EN 60598-2-22
Temperature Range	0°C to 40°C
Weights	IP20 - 2.0kg IP65 - 2.3kg
Battery	10 cell size C Nickel Cadmium 2200mAh

www.channelsafety.co.uk

Tel: 0845 884 7000

Email: sales@channelsafety.co.uk

Errors & omissions excluded. Specification is subject to change without notice.