

CHANNEL

LIGHTING & SAFETY SYSTEMS

GU32



LED Twin Spot
from Channel Safety Systems

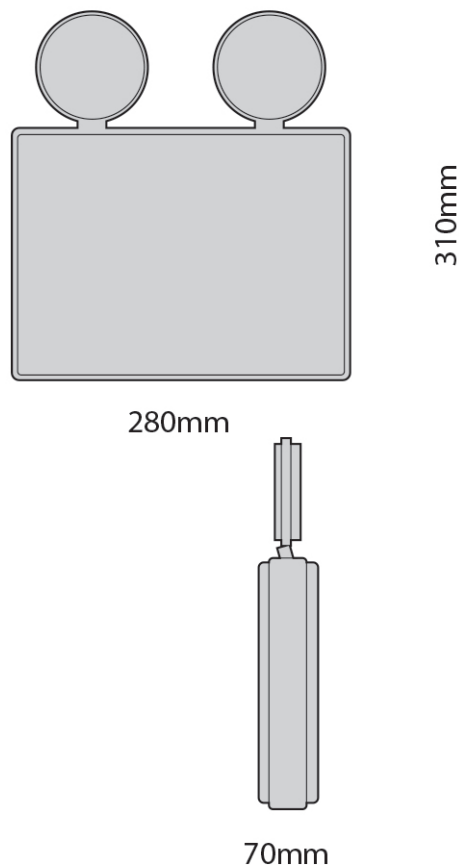


LED Emergency Twin Spot

This Non-Maintained IP20 LED Twin Spot for interior installations provides up to three hours of emergency lighting thanks to the 1 x 3.6V, 4.5Ah battery. The polycarbonate body, in a white finish provides the ideal choice for warehouses, factories, open areas & corridors.

Features

- Power consumption: 3.2W
- Uses 50% power than that of a Tungsten halogen
- Lumen output: 385lm (emergency mode)
- Material: polycarbonate lamps & lenses.
- IP Rating: IP20 non-maintained mode only
- Compliance: BS EN 60598-2-22 and other relevant standards.
- Voltage: 240V, Mains voltage
- Emergency operation: 3hrs
- Battery: 1 x 3.6V 4.5Ah Ni Cd battery
- Health indicator feature
- Carry handle for portability
- Ambient temperature: 0°C to 40°C



PRODUCT CODE	DESCRIPTION
E/GU32	GU32 Twin LED 3 Hour Non-Maintained emergency light

PHOTOMETRIC SPACING DATA (1 lux)

Mounting height	Back - Side - Front	
	Back	Side - Front
2.5m	3.0m	8.5m
4m	3.5m	10.5m
6m	4.0m	11.5m

SPECIFICATIONS

Light Source	385 lumen output (emergency mode)
IP Rating	IP20
Emergency Duration	3 hours (minimum)
Mains Voltage	230V 50Hz ±10%
Mains Current (max)	3.2 W (emergency mode)
Mounting	In any orientation
Recharge Period	Less than 24 hours
Charge Indicator	Integral green LED
Changeover Voltage	As per the requirements of BS EN 60598-2-22
Temperature Range	0°C to 40°C
Weights	IP20 - 1.2kg
Battery	Nickel Cadmium 4500mAH