

Intelligent Flameproof IR² Flame Detector



Technical Data

All data is supplied subject to change without notice. Specifications are typical at 24V, 23°C and 50% RH unless otherwise stated.

| | |
|--|--|
| Supply voltage | 17 - 35 V dc |
| Digital communication | XP95, Discovery and CoreProtocol compatible |
| Quiescent current | 2.2 mA |
| Maximum power-up time | 2 seconds |
| Remote LED current | Limited to 2 mA |
| Range of view | 0.1 m ² n-heptane at 25 m 0.2 m ² n-heptane at 35 m 0.4 m ² n-heptane at 45 m |
| Field of view | 90° cone |
| Spectral response | 1.0 to 2.7 µm |
| Sensitivity (EN 54-10) | High - Class 1 Low - Class 3 |
| Operating temperature | -10°C to +55°C |
| Storage temperature | -20°C to +65°C |
| Humidity (no condensing or icing) | 0% to 95% RH |
| IP rating | IP66 |
| Use | Indoor use only |
| Standards and approvals | EN 54-10, LPCB, CCS, IECEx and BASEEFA |
| BASEEFA Certificate No. | 08ATEX0270 |
| Dimensions | 150 mm diameter. x 137 mm deep |
| Weight | 2.5 kg |
| Materials | Copper-free aluminium alloy LM25 |
| Housing colour | Red |
| Cable gland entries | 3 x 20 mm |

Product overview

| | |
|------------------------------|---|
| Product | Intelligent Flameproof IR ² Flame Detector |
| Part No. | 55000-295 |
| Digital Communication | XP95, Discovery and CoreProtocol® compatible |

Approvals

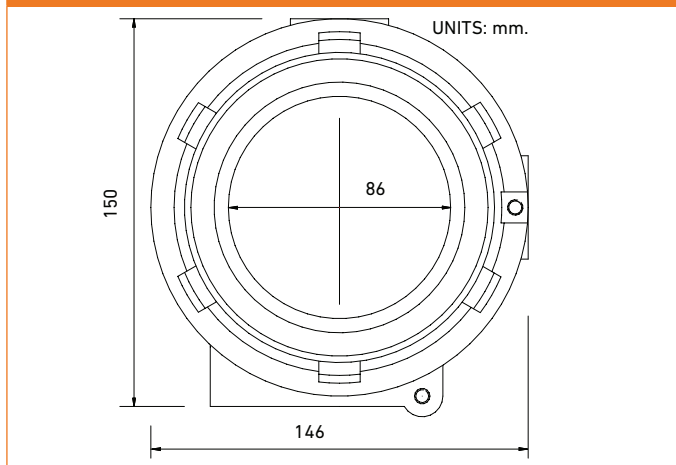


Product information

The Intelligent Flameproof IR² Detector is designed for hazardous environments in indoor applications. The detector has two sensors which respond to different IR wavelengths to discriminate between flames and spurious sources of radiation. These detectors are BASEEFA approved and meet the requirements of ATEX Directive 2014/34/EU.

- ATEX certified: II 2 G D
- CENELEC/IEC certified: EEX d - IIC T4 - (Zones 1, 21, 2 and 22)
- Class 1 sensitivity to EN54-10 detects 0.12m² fire at 25 m
- Highest optical interference immunity
- Sensitive to flickering IR radiation
- Detects through films of oil, dust, water and ice
- Responds to flickering flames, including those invisible to the naked eye
- Compatible with Discovery and XP95 protocols
- Remote optical self-test function
- 90° field of view
- Up to 40 m coverage

Dimensional drawing



36 Brookside Road, Havant | Tel: +44 (0)23 9249 2412 | Email: sales@apollo-fire.com
Hampshire, PO9 1JR, UK. | Fax: +44 (0)23 9249 2754 | Web: www.apollo-fire.co.uk



A HALMA COMPANY
© Apollo Fire Detectors Limited 2017



This page has intentionally been left blank