

Intelligent (Exd) Flameproof IR³ Flame Detector



Technical Data

All data is supplied subject to change without notice. Specifications are typical at 24V, 25°C and 50% RH unless otherwise stated.

Supply voltage	17 - 35 V dc
Digital communication	XP95, Discovery and CoreProtocol compatible
Quiescent current	2.2 mA
Maximum power-up time	2 seconds
Remote LED current	Limited to 2 mA
Range of view	0.1 m ² n-heptane at 25 m 0.2 m ² n-heptane at 35 m 0.4 m ² n-heptane at 45 m
Field of view	90° cone
Spectral response	0.75 to 2.7 µm
Sensitivity (EN 54-10)	High - Class 1 Low - Class 3
Operating temperature	-10°C to +55°C
Storage temperature	-20°C to +65°C
Humidity (no condensing or icing)	0% to 95% RH
IP rating	IP66
Use	Indoor and outdoor use
Standards and approvals	EN 54-10, LPCB, IECEx and BASEEFA
BASEEFA Certificate No.	Baseefa08ATEX0270
Dimensions	150 mm diameter. x 137 mm deep
Weight	2.5 kg
Materials	Copper-free aluminium alloy LM25
Housing colour	Red
Cable gland entries	3 x 20 mm

Product overview

Product	Intelligent (Exd) Flameproof IR ³ Flame Detector
Part No.	55000-021
Digital communication	XP95, Discovery and CoreProtocol® compatible

Approvals

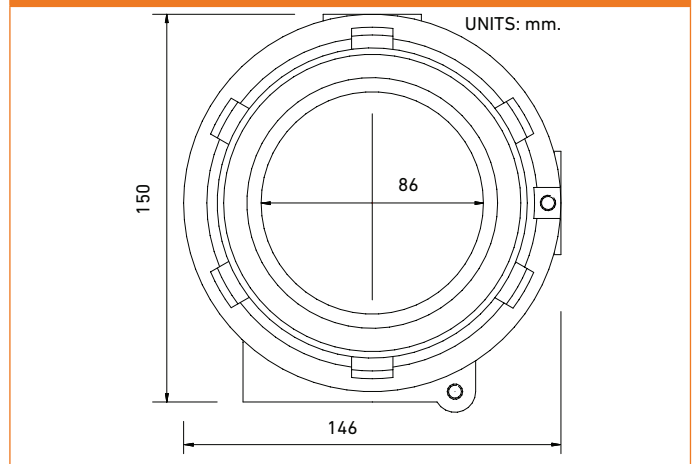


Product information

The Intelligent (Exd) Flameproof IR³ Detector is designed for use in hazardous environments in both indoor and outdoor applications. It is sensitive to low-frequency, flickering infra-red radiation emitted by flames during combustion. These detectors are BASEEFA approved and meet the requirements of ATEX Directive 2014/34/EU.

- ATEX certified: II 2 G D
- CENELEC/IEC certified: EEX d - IIC T4 - (Zones 1, 21, 2 and 22)
- Class 1 sensitivity to EN54-10 detects 0.12m² fire at 25 m
- Detects through films of oil, dust, water and ice
- Responds to flickering flames, including those invisible to the naked eye
- Compatible with Discovery and XP95 protocols
- 90° field of view
- Up to 40 m coverage

Dimensional drawing



36 Brookside Road, Havant | Tel: +44 (0)23 9249 2412 | Email: sales@apollo-fire.com
Hampshire, PO9 1JR, UK. | Fax: +44 (0)23 9249 2754 | Web: www.apollo-fire.co.uk



A HALMA COMPANY
© Apollo Fire Detectors Limited 2017



This page has intentionally been left blank