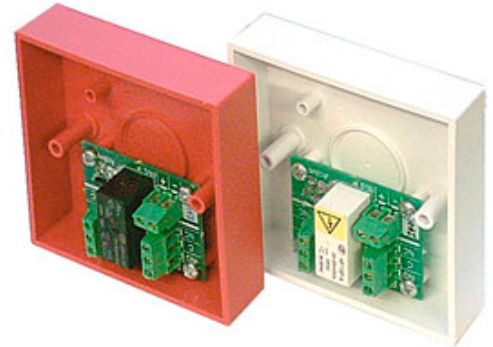


Part Number	EASY RELAY24/ONE GANG 500-021	CE
Description	Fire Systems (24V coil)	
Reference	Installation Guidelines – T2/ER24/500-021/install/10-02-06	

Overview

- The Easy-Relay 24 is intended for use in 24VDC applications such as fire system interfacing.
- There is a built-in diode in series with the coil, which allows easy connection to bell circuits that use EOL resistors.
- The relay is of a compact power type. It has **two** sets of contacts, each capable of switching 8 amps.
- An LED is provided to visually indicate that the contacts are in the *active* position.

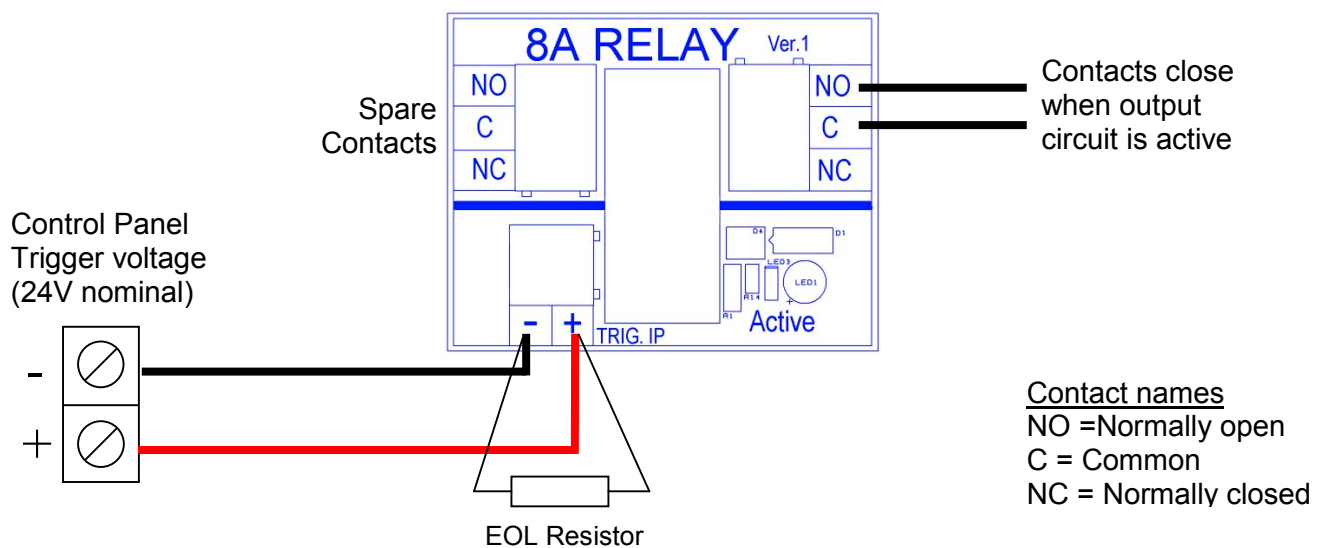


General Installation

The Easy-Relay - standard single gang box format - can be mounted on most single gang back boxes, a matching red back box is available from your wholesaler. If mains voltages are being switched ensure the latest IEEE electrical wiring practices are adhered to.

PCB Connections

This application shows how to connect the relay to a fire system monitored output circuit.



Technical Support

Contact your supplier for general technical support on this product.

Technical Data

Nominal Input Voltage:	24V DC	Output Contact Rating:	Double Pole – Change Over Contacts 230V AC 8A max, 2000VA
Temperature Range:	-40 to +70°C	Contact Material:	Silver Alloy
Operational Current:	18mA @ 24V	Electrical Life	100,000 operations at rated current
Coil Power	0.4W	Physical Dimensions:	W.87mm x L.87mm x H.30mm
Drop Out Voltage:	3V5 DC		