

ZTSL6 Zeta Secure Light Xenon Flasher

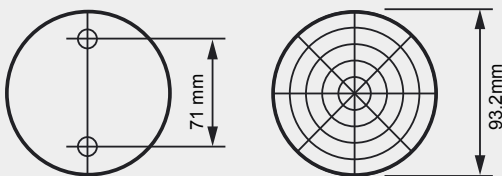


The ZTSL6 range are latest products designed to provide a visual warning at alarm condition.

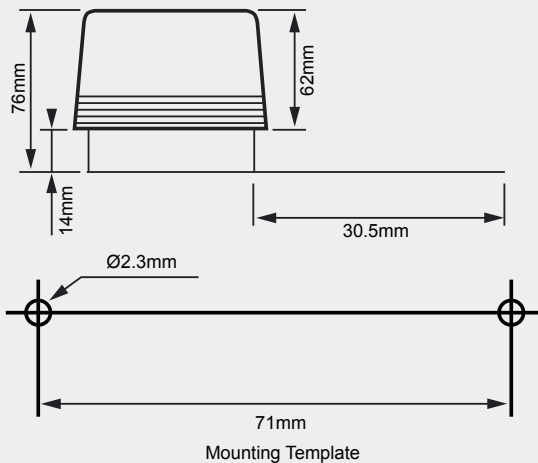
Lenses constructed of high-Impact and heat resistant ACRYREX available in clear, amber, red or blue.

The case is made of high-impact resistant ABS plastic.

Note: Requires two mounting screws Ø3 x 46 TP2 (included). This can be mounted directly to a standard outlet box.



Requires two mounting screws Ø3 x 46 TP2 (included). This can be mounted directly to a standard outlet box.



Mounting Template

MODEL	ZTSL6/R	ZTSL6/B	ZTSL6/C	ZTSL6/A
PART NO	42-035	42-036	42-037	42-038
COLOUR	Red	Blue	Clear	Amber
OPERATING VOLTAGE	20-30V dc			
OPERATING CURRENT	100mA			
FLASH ENERGY	3 Watt			
FLASH FREQUENCY	60 times per minute			
OPERATING TEMPERATURE	-30°C to 60°C			
INGRESS PROTECTION	IP54			
LIVE MONITORING	Polarised			
DIMENSIONS	150mm(dia) x 76mm (h)			
WEIGHT	150g			