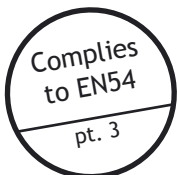


## ZST/8R Securetone Conventional Electronic Sounder

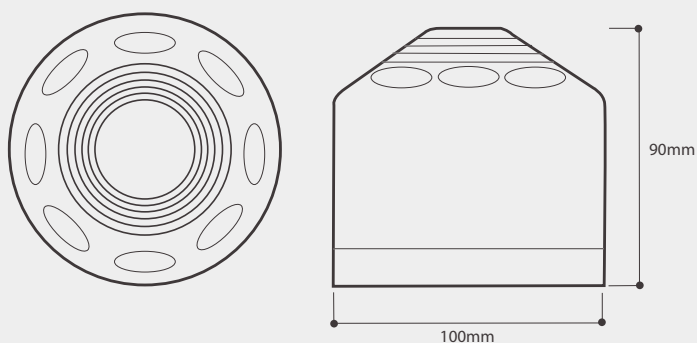


The Securetone sounder is designed to be aesthetically pleasing and unobtrusive.

It has an elegant round design, and fits to its supplied mounting plate with a bayonet action to avoid unsightly screws.

It has 8 selectable tones, and has a volume adjust screw to set the required sound level, with volume control.

This product is designed to meet the requirements of EN54 part 3 and is CE marked.



MODEL	ZST/8R	ZST/8W
PART NO	42-004	42-004A
COLOUR	RED	WHITE
INPUT VOLTAGE	10 - 30V DC	
QUIESCENT CURRENT	0 mA	
ALARM CURRENT	35mA MAX	
SOUND OUTPUT	100dBA @ 24V @ 1m	
LINE MONITORING	POLARISED	
OPERATING TEMPERATURE	-0°C to 50°C	
MAX. HUMIDITY	95% RH N/C	
IP RATING	IP 43	
SIZE WxHxD mm (inc PLATE)	100 x 100 x 75 (100 x 100 x 85)	
WEIGHT (inc PLATE)	230 g (260g)	