

## ZMT/8

### Maxitone & Megatone Electronic Sounders

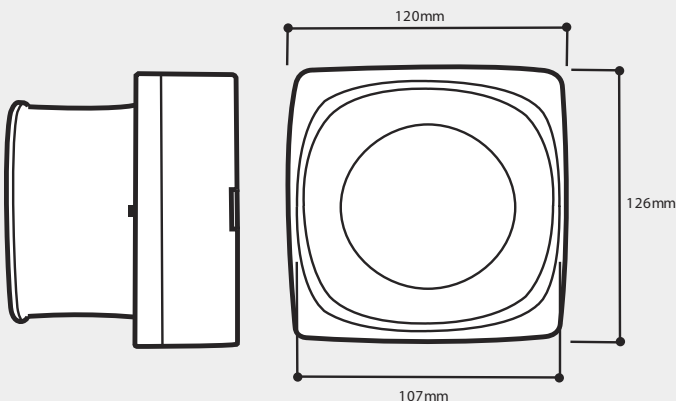


Complies to EN54 pt. 3

Zeta electronic sounders are ideal alternatives to fire bells. The electronic sounders produce a high sound level at a lower current consumption, making them ideal for reducing the battery standby capacity for a system.

The Maxitone sounder ZMT has 8 selectable tones (selectable via dip switch combinations), and an adjustable volume control (for small rooms).

The Megatone ZIDC (formerly known as an Industrial sounder) is ideal for warehouses or industrial use, as it generates an output of up to 120 dBA @ 1 metre. It has 2 sets of negative contacts, each producing a different tone, making this sounder ideal for a 2 stage evacuation. (If power is applied to both negatives, the selectable terminal will have priority).



MODEL	ZMT/8-R	ZMT/8-W	ZIDC/10R	ZIDC/10W
PART NO	42-001	42-001A	42-005	42-005A
COLOUR	Red	White	Red	White
NO. OF TONES	8	10 (8 2nd Stage)		
OPERATING VOLTAGE	10-50V dc			
SOUND OUTPUT	103dBA @ 24V @ 1m		120dBA @ 24V @ 1m	
OPERATING CURRENT	<16mA @ 24V dc		250mA*	
OPERATING TEMPERATURE	-30°C to 80°C			
INGRESS PROTECTION	IP65			
LINE MONITORING	Polarised			
DIMENSIONS	124 x 130 x 100 mm			
WEIGHT	357g		372g	

\* Take Care not to overload the sounder circuit when using these devices.