

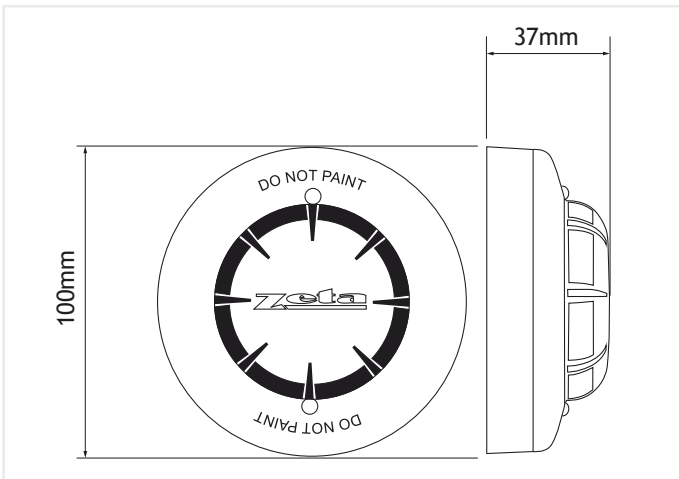
Fyreye Extra Analogue Addressable Optical Smoke Detector (FEAOE2000)



The Fyreye Extra analogue addressable optical smoke detector is particularly suitable for detecting optically dense smoke, involving materials such as soft furnishings, PVC, plastic, foam and all similar materials which produce small visible particles (0.5 to 10 µm).

The FEAOE2000 works with the Zeta Addressable Protocol and is compatible with all current Zeta analogue addressable control panels.

It also comes supplied with a locking grub screw to prevent unauthorised head removal.



Features

- ✓ Addressable optical smoke detector
- ✓ DIFT approved
- ✓ Complies fully to EN54 parts 5 & 7
- ✓ Twin LEDs to improve alarm indication
- ✓ Includes locking grub screw to prevent unauthorised head removal

| Model | FEAOE2000 |
|--|-----------------------------|
| Part No. | 80-125 |
| Detector Class | Optical Smoke |
| Design Standard | EN54 Pt 7 |
| Approval | DIFT |
| Operating Voltage | 17 - 28V DC (Plus Protocol) |
| Quiescent Current | 480µA |
| Alarm Current | 2.3mA |
| Operating Temperature | -10°C to +50°C |
| Minimum Continuous Temperature | 0°C |
| Maximum Humidity | 95% RH Non Condensing |
| Return Value of 55 (Nominal Alarm Level) | 2.4% Obscuration per metre |
| Coverage | 100m ² |
| IP Protection Rating | IP43 |
| Start-up Time | 10 Seconds |
| Size, Diameter x Height (with base) | 100 x 37 mm (101 x 53 mm) |
| Weight (with base) | 95 g (153g) |