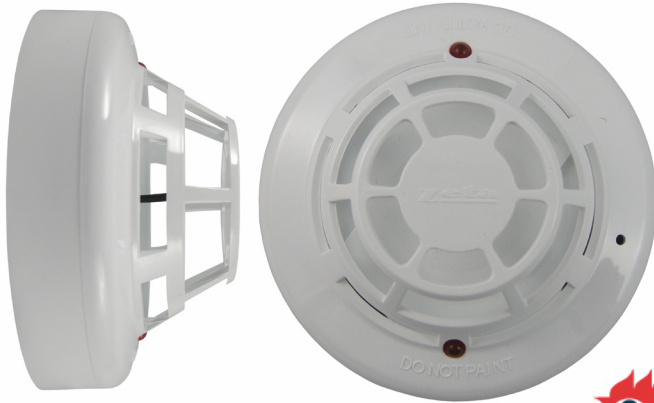


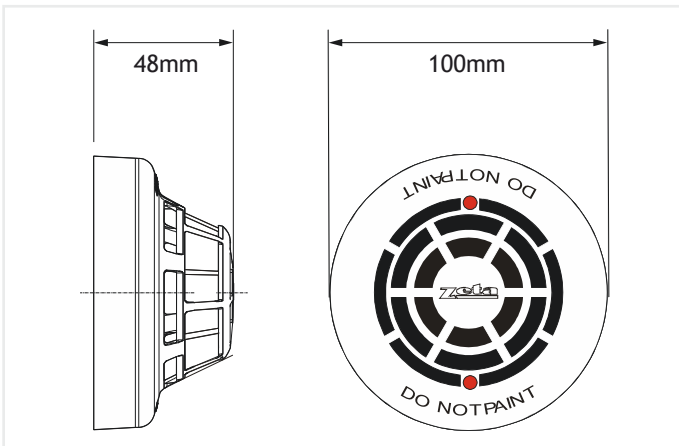
Fyreye Extra Analogue Addressable High-Temperature Fixed Heat Detector (FEAHHE2000)



The FEAHHE2000 is an analogue addressable fixed heat detector. It will respond with a value of 95 if the detector is triggered through a fixed heat alarm of 90° C.

The FEAHHE2000 works with the Zeta Addressable Protocol and is compatible with all current Zeta analogue addressable control panels.

It also comes supplied with a locking grub screw to prevent unauthorised head removal.



Features

- ✓ Analogue addressable high-temperature fixed heat detector
- ✓ DIFT approved
- ✓ Complies fully to EN54 parts 5 & 7
- ✓ Twin LEDs to improve alarm indication
- ✓ Includes locking grub screw to prevent unauthorised head removal

Model	FEAHHE2000
Part No.	80-136
Detector Class	FIXED HEAT ONLY
Design Standard	EN54 part 5
Approval	DIFT
Operating Voltage	17 to 28V DC (Plus Protocol)
Quiescent Current	440 µA
Alarm Current @ 24V DC	2.4mA
Operating Temperature	-10° C to 50° C
Minimum Continuous Temperature	0° C
Maximum Humidity	95% RH non condensing
Alarm Condition	Fixed Heat trigger @ 90° C
Compatible Bases	FE-CB Common Base, FE-IB Isolator Base, FEA-RB Addressable Relay Base, FEA-SB Addressable Sounder Base, FEA-SFB Addressable Sounder Flasher Base
Coverage	50m ²
IP Protection Rating	IP43
Start-up Time	30 seconds
Size, Diameter x Height (with base)	100 x 48 mm (101 x 64 mm)
Weight (with base)	100g (158g)