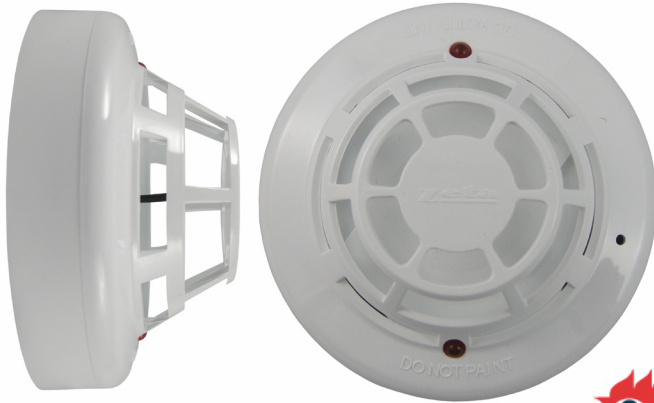


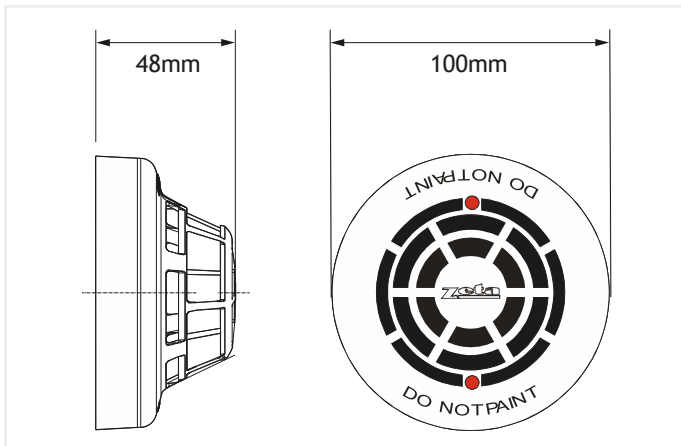
Fyreye Extra Analogue Addressable Rate of Rise Heat Detector (FEAHE2000)



The FEAHE2000 is an analogue addressable rate of rise heat detector. It will respond with a value of 75 if the detector is triggered by a rate of rise alarm (that is a fast increase in temperature over a set period of time). The detector also responds to a fixed temperature of 57°C and will return a value of 95 if the detector is triggered by this condition.

The FEAHE2000 works with the Zeta Addressable Protocol and is compatible with all current Zeta analogue addressable control panels.

It also comes supplied with a locking grub screw to prevent unauthorised head removal.



Features

- ✓ Addressable rate of rise detector
- ✓ Also responds to a fixed temperature of 57°C
- ✓ DIFT approved
- ✓ Complies fully to EN54 parts 5 & 7
- ✓ Twin LEDs to improve alarm indication
- ✓ Includes locking grub screw to prevent unauthorised head removal

Model	FEAHE2000
Part No.	80-135
Detector Class	Rate of Rise & Fixed Heat
Design Standard	EN54 part 5
Approval	DIFT
Operating Voltage	17 to 28V DC (Plus Protocol)
Quiescent Current	440 µA
Alarm Current @ 24V DC	2.4mA
Operating Temperature	-10°C to 50°C
Minimum Continuous Temperature	0°C
Maximum Humidity	95% RH non condensing
Alarm Condition	Rate of Rise or Fixed Heat trigger @ 57°C
Compatible Bases	FE-CB Common Base, FE-IB Isolator Base, FEA-RB Addressable Relay Base, FEA-SB Addressable Sounder Base, FEA-SFB Addressable Sounder Flasher Base
Coverage	50m ²
IP Protection Rating	IP43
Start-up Time	30 seconds
Size, Diameter x Height (with base)	100 x 48 mm (101 x 64 mm)
Weight (with base)	100g (158g)