

CO800

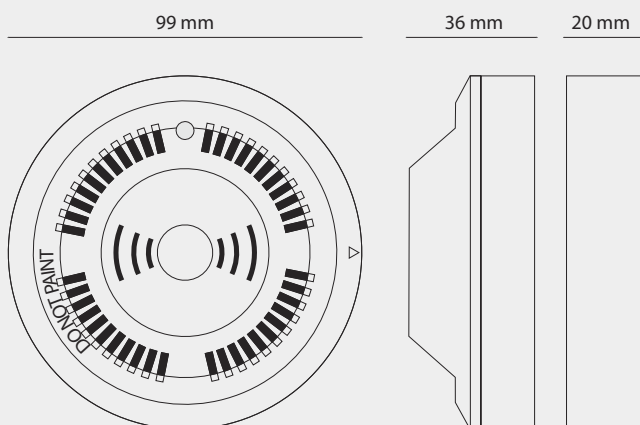
Addressable Carbon Monoxide Detector



The CO800 is an analogue addressable Carbon Monoxide detector specifically designed for use with the Aircon 8 addressable carbon monoxide monitoring & ventilation panel.

The detector uses an electro-chemical sensor with the detection range of 0 to 600 ppm of carbon monoxide. The detectors address is set via a binary dipswitch on the rear of the detector.

The optimum mounting height for this detector is between 1.5 & 2m from the floor



MODEL	CO800
PART NO	47-015
OPERATING VOLTAGE	17 - 28 Vdc
STANDBY CURRENT	500µA @ 24Vdc
OPERATING TEMPERATURES	-20 °C to +60 °C
MAX. HUMIDITY	95% RH no condensation
MAX. WIND SPEED	Not Effected
INGRESS PROTECTION	IP43
COVERAGE	300m ²
SENSOR / RANGE	Electro-chemical / 0-600ppm
SENSOR LIFETIME	5 years maximum